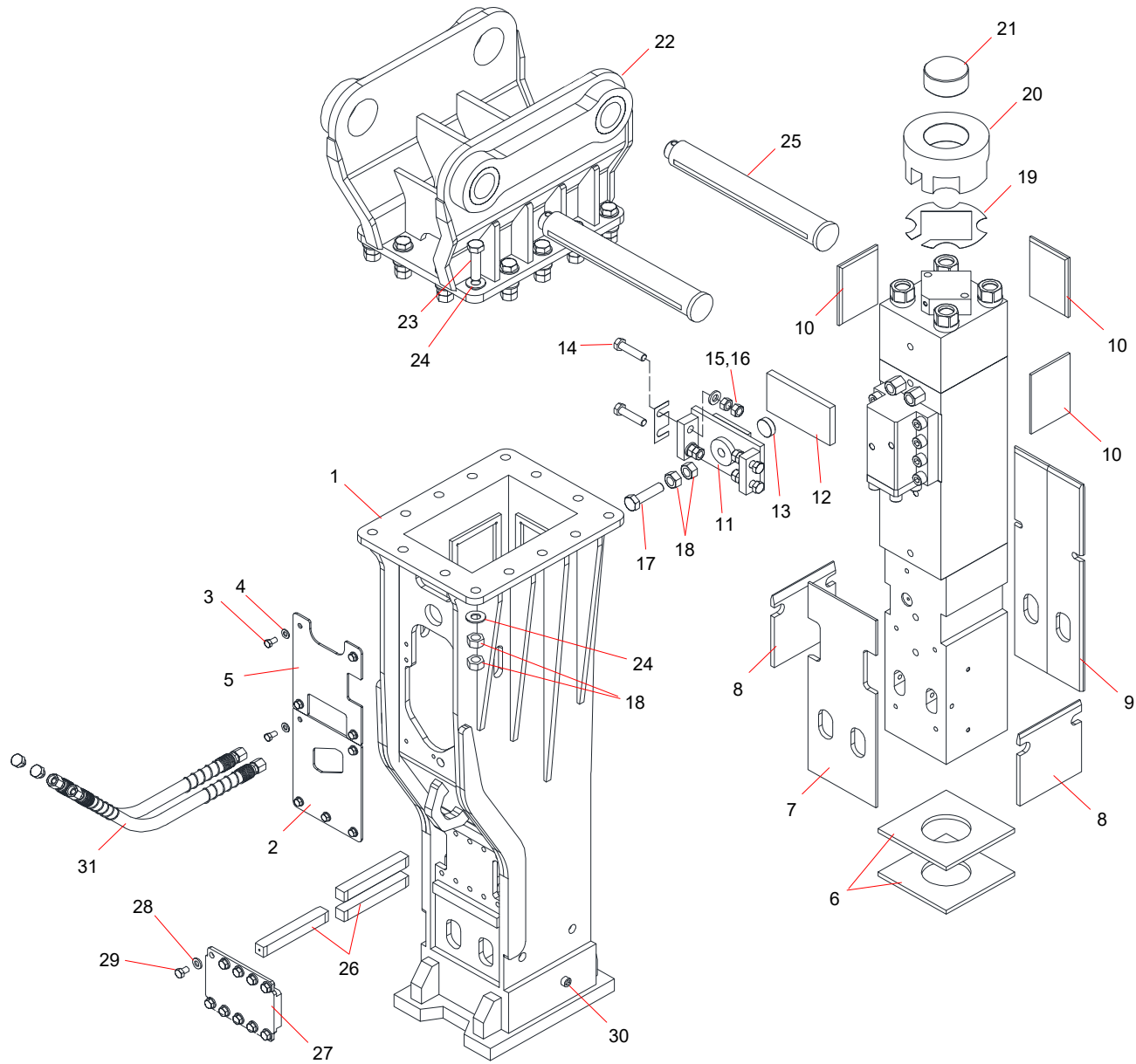


TNB-400LU2 BOX BRACKET

2023.06.26

No.4



Parts

Sym	Part Code	Description	Q'ty	Int	Kit
1	BOX Bracket	BKT-400LU2-ST-W/O-TC	1		
2	Control Valve Plate	400002-2	1	×	B
	Control Valve Plate	400002	1		B
3	H.T Bolt M20x35	BLT-M20-35	9		B
4	Washer 20	WASHER-M20	9		B
5	Gas Valve Cover Plate	400005-2	1		B
6	Under Spacer	400006	2		B
7	Chisel Holder Spacer	400007-2	1		B
8	Sider Spacer	400008	2		B
9	Back Spacer	400009	1		B
10	Small Spacer	400010	3		B
11	Guide Plate	400011-2	1	○	B
	Guide Plate	400011	1		B
12	Guide Spacer	400012	1		B
13	Small Nylon pole	400013	1		B
14	H.T Bolt M30x130	BLT-M30-130	4		B
15	Washer 30	WASHER-M30	4		B
16	H.T NUT M30	NUT-M30-HT	8		B
17	H.T Bolt M39x105	BLT-M39-105	1		B
18	H.T NUT M39	NUT-M39-HT	30		B
19	Adjust Mat	400016	1		B
20	Top Cover	400017	1		B
21	Nylon Pole	400018	1		B
22	Top Cap	PER MACH.MODEL	1		
23	H.T Bolt M39x105	BLT-M39-105	14		B
24	Washer 39	WASHER-M39	28		B
25	Bracket Pin	PER MACH.MODEL	2		T
26	Assembled Localizer	40030	2 sets		B
27	Cover Plate	40032-2	1		B
28	Washer 24	WASHER-M24	10		B
29	H.T Bolt M24x35	BLT-M24-35	10		B
30	Plug ZG1 1/4"	136096128	1		B
31	Hose	SGH-2121	2		

Box Bracket CP consists of parts marked "B"

Top Cap consists of parts marked "T"

For Decal and/or Tool Box information, please contact your Dealer

INT(interchangeability)

○ Interchangeable old ↔ new

△ Interchangeable old → new

▲ Interchangeable old ← new

× Not interchangeable