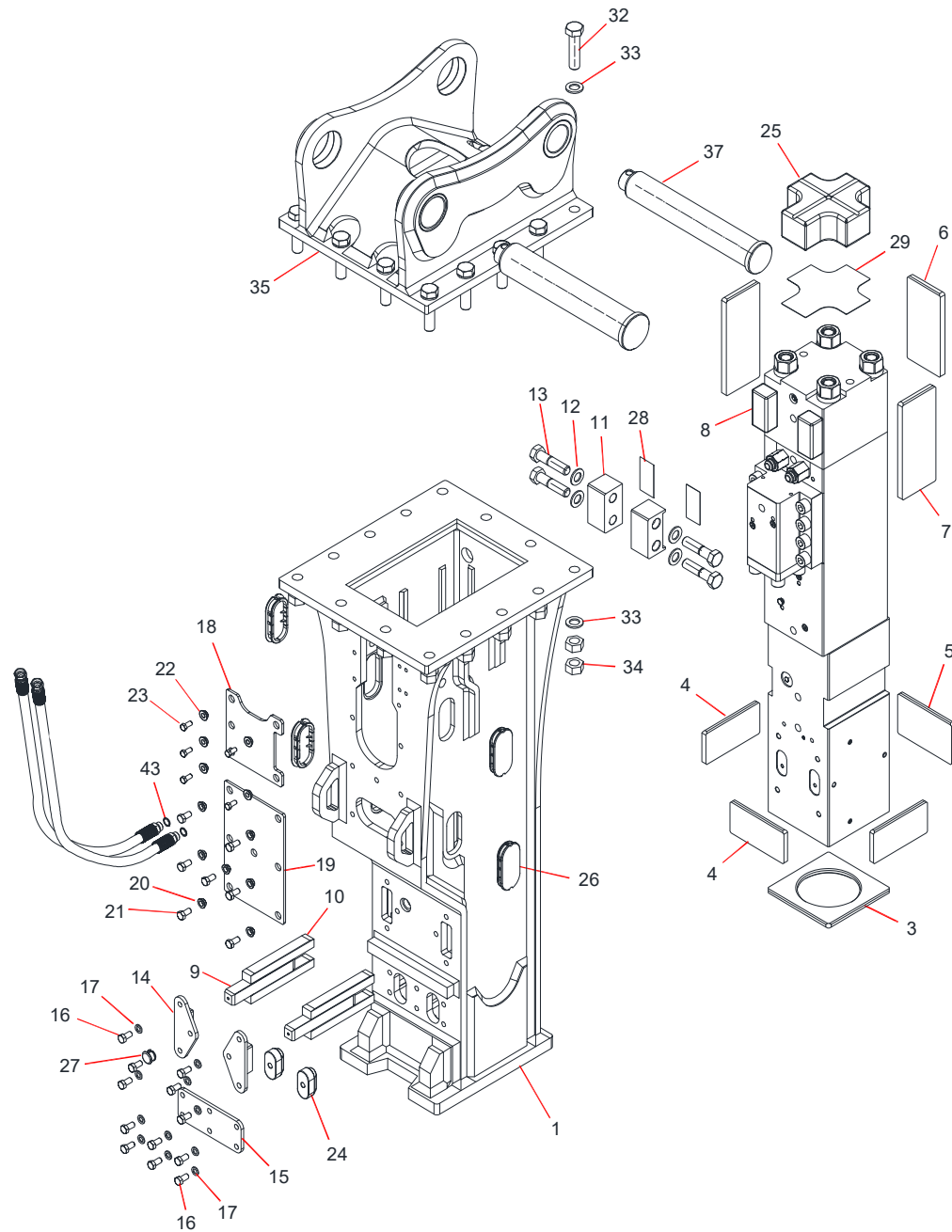


TNB-40K BOX BRACKET



Parts

2023.06.26

No.2

Sym	Part Code	Description	Q'ty	Int	Kit
1	BKT-40K	TOP MOUNT BOX BRACKET A	1		
3	40K003	SPACER UD	1		B
4	40K004	SPACER H	3		B
5	40K005	SPACER HR	1		B
6	40K006	ISOLATOR TR	1		B
7	40K007	SPACER TS	2		B
8	40K008	ISOLATOR TF	2		B
9	40K009	KEY LR	2		B
10	40K009	ISOLATOR KLR	4		B
11	40K011	GUIDE PLATE	2		B
12	WASHER-M36-FT	WASHER	4		B
13	BLT-M36-150	BOLT	4		B
14	415811820	KEY COVER	2		B
15	415811830	COVER R	1		B
16	BLT-M20-40	BOLT	12		B
17	WASHER-M20	WASHER	12		B
18	136096565	COVER A	1		B
19	136096566	COVER B	1		B
20	415810340	SLEEVE WASHER	7		B
21	BLT-M20-40	BOLT	7		B
22	415800640	SLEEVE WASHER	5		B
23	BLT-M16-35	BOLT	5		B
24	136096567	RETAINER ISOLATOR	2		B
25	136096557	ISOLATOR T	1		B
26	136096331	SIDE PLUG	4		B
27	136096066	BRACKET PLUG	1		B
28	415812000	GUIDE PLATE SHIM 1.0	2		
29	415811750	ISOLATOR T SHIM 2.0	1		
32	BLT-M39-160	BOLT	14		B
33	WASHER-M39	WASHER	28		B
34	NUT-M39	NUT	28		B
35	PER MACHINE MODEL	TOP MOUNT BOX BRACKET B	1		
37	PER MACHINE MODEL	BRACKET PIN KIT	1		T

Box Bracket CP consists of parts marked "B"

Top Cap consists of parts marked "T"

For Decal and/or Tool Box information, please contact your Dealer

INT(interchangeability)

○ Interchangeable old ↔ new

△ Interchangeable old → new

▲ Interchangeable old ← new

× Not interchangeable