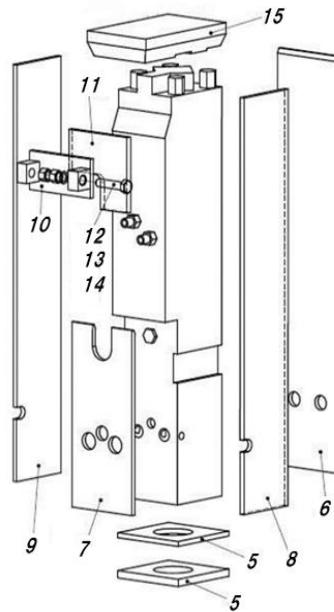
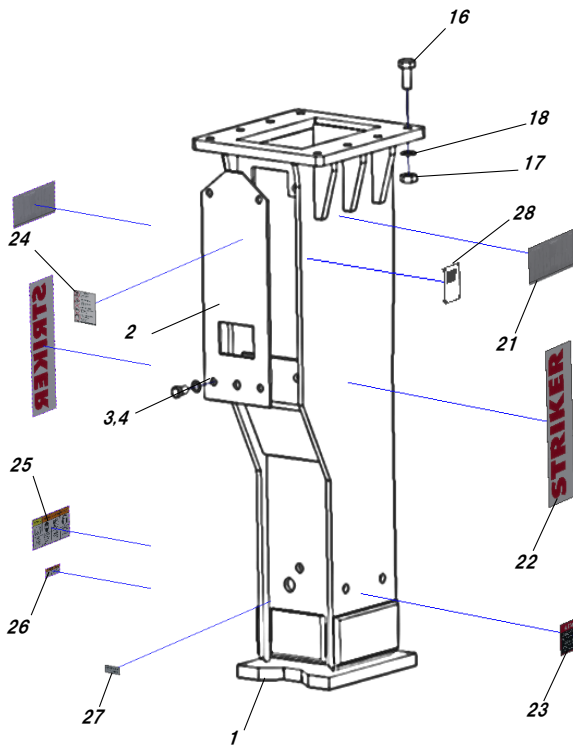
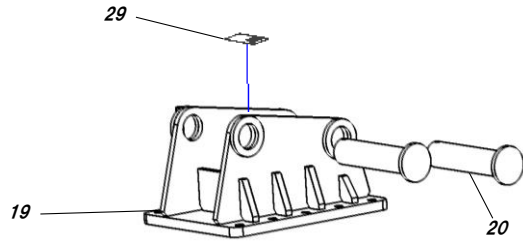


# TNB-2M-BX

5/1/2023  
No.1



Item No.	Item Code	Item Description	Q'ty
1	4156CCAA0	Box Bracket	1 Set
2	4156CEAA0	Control valve plate	1
3	131612020	Hex Bolt	5
4	131301012	Washer	5
5	136050010	Under Spacer A	2
6	136053010	Back spacer	1
7	136054010	Chisel Holder spacer	1
8	136055010	Side Spacer R	1
9	136056010	Side Spacer L	1
10	4155AGAA1	Guide Plate	1
11	136077020	Guide Spacer	1
12	131616070	Hex Bolt	2
13	134452016	Lock Nut	2
14	131306016	Washer	2
15	136060010	Top Cover A	1
16	131666060	H.T Bolt	8
17	134451016	H.T Nut	8
18	131357016	H.T Waher	16
19	Per Machine Model	Top Bracket	1
20	Per Machine Model	Top Cap Pin	2
21	DECAL-2M	TNB-2M	2
22	STRIKER-SMALL	Striker Decal (Small)	2
23	DANGER-RED	Caution 1	1
24	CAUTION - WHITE	Caution 2	1
25	WARNING - SMALL	Caution 3	1
26	PRO65-DECAL	California Decal	1
27	GREASE-DECAL	Grease Daily	1
28	BR-Name Plate	Breaker Name Plate	1
29	TB-Name Plate	Top Bracket Name Plate	1

※For Decal and/or Tool Box please contact Your Dealer.