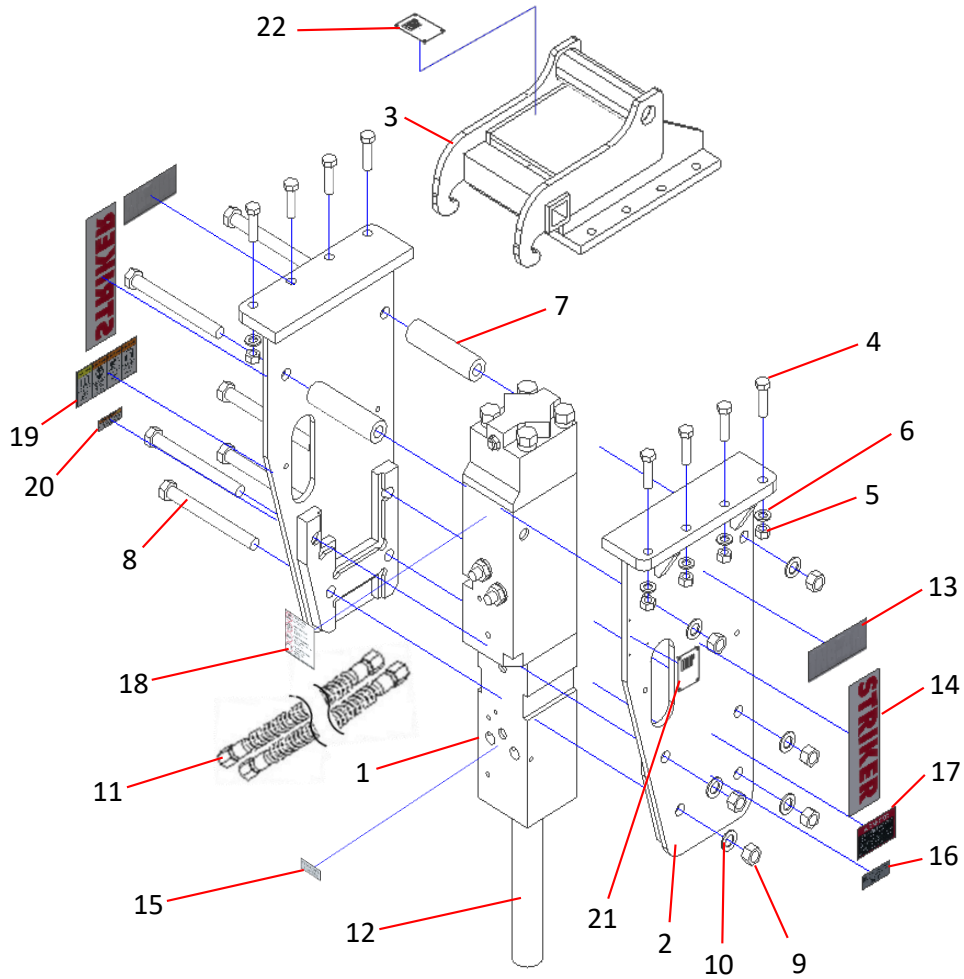


TNB-2M-FL-BC

5/1/2023
No.1



Item No.	Item Code	Item Description	Q'ty
1	515114	Bare Breaker, 2M	1
2	BKT-2M-FL-BD	TNB-2M Flange Plates	1
3	T-BC-X-2M	Bobcat X-change	1
4	BLT-M16-55	Bolt H.T. M16 x 55 2M/3M/4M/5M	8
5	NUT-M16	NUT H.T. M16	8
6	WASHER-M16	M16 Ribbed Washer HD TY	8
7	SPACER-44.5-190	SPACER 44.5X190	2
8	BLT-M22-225	BOLT H.T. CL. 10 M22x225	6
9	NUT-M22	NUT H.T. M22	6
10	WASHER-M22	M22 Ribbed Washer	6
11	SGH-2095	Hydraulic Hose Coupler	2
	SGH-2094	Hydraulic Hose Nipple	
12	415108410	Moil Point	1
13	DECAL-2M	TNB-2M	2
14	STRIKER-SMALL	Striker Decal (Small)	2
15	GREASE-DECAL	Grease Daily	1
16	BOLT - DECAL	Check Loose bolts	1
17	DANGER-RED	Caution 1	1
18	CAUTION - WHITE	Caution 2	1
19	WARNING - SMALL	Caution 3	1
20	PRO65-DECAL	California Decal	1
21	BR-Name Plate	Breaker Name Plate	1
22	TB-Name Plate	Top Bracket Name Plate	1

※1・・・For Hydraulic Hose and/or Moil Point please contact Your Dealer.

※For Decal and/or Tool Box please contact Your Dealer.