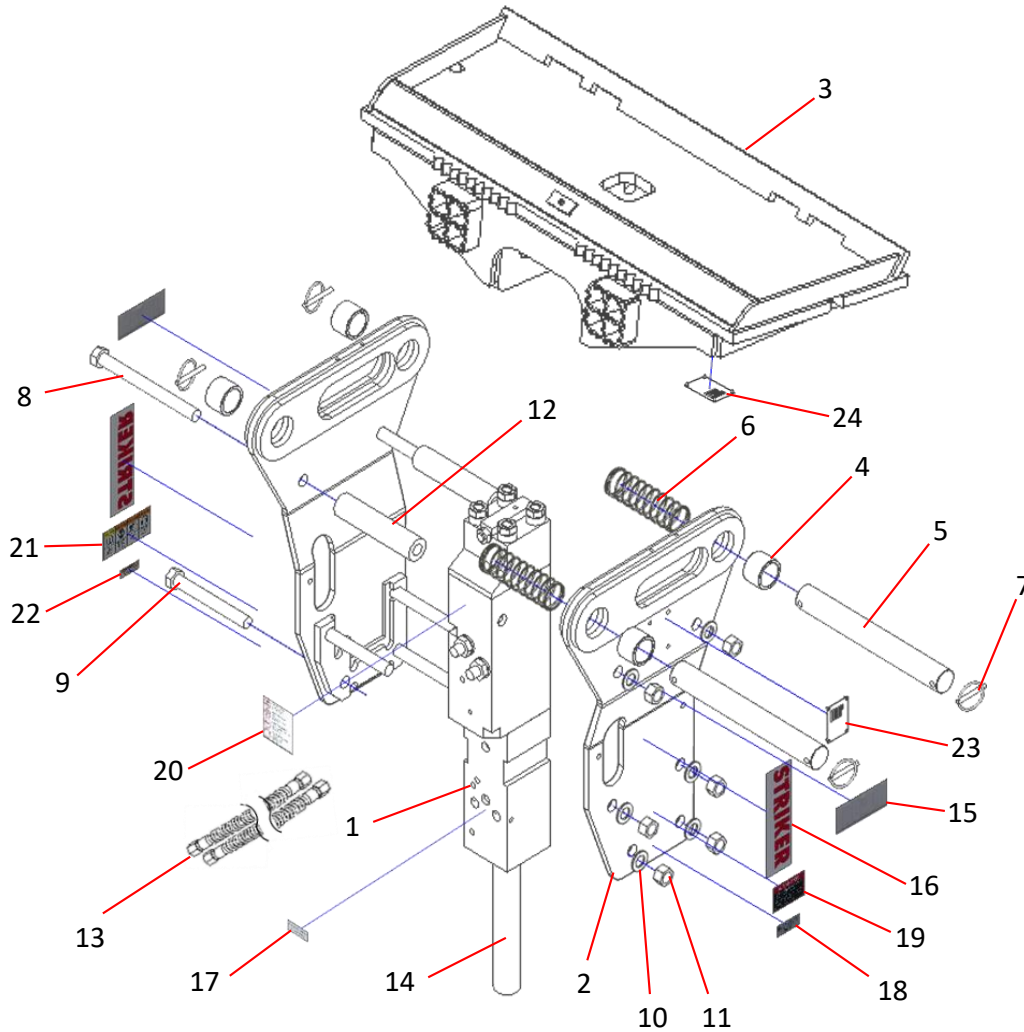


# TNB-2M-SSL-MX-1POS

5/1/2023  
No.1



| Item No. | Item Code       | Item Description                | Q'ty |
|----------|-----------------|---------------------------------|------|
| 1        | 515114          | Bare Breaker, 2M                | 1    |
| 2        | BKT-2M-BD       | Side Plates, B&D, 2M            | 1    |
| 3        | CB-1POS         | 1-Position Common Bed (BD)      | 1    |
| 4        | PBB57-45-0-40   | BUSH CONVERSION                 | 4    |
| 5        | PBP45-360-SSL   | Pin 45X360 2M/3MB/4M/5M (12430) | 2    |
| 6        | 900564-9S       | Steel coil spring guard. 47.5   | 2    |
| 7        | PIN-CLIP        | PIN-CLIP (Lynch Pin)            | 4    |
| 8        | BLT-M22-240     | BOLT H.T. CL.10 M22X240 4M      | 2    |
| 9        | BLT-M22-180     | BOLT H.T. CL.10 M22X180 2M      | 4    |
| 10       | WASHER-M22      | M22 Ribbed Washer               | 6    |
| 11       | NUT-M22         | NUT H.T. M22                    | 6    |
| 12       | SPACER-44.5-190 | SPACER 44.5X190 2M/4M           | 2    |
| 13       | ※1              | Hydraulic Hose                  | 2    |
| 14       | 415108410       | Moil Point                      | 1    |
| 15       | DECAL-2M        | TNB-2M                          | 2    |
| 16       | STRIKER SMALL   | Striker Decal (Small)           | 2    |
| 17       | GREASE-DECAL    | Grease Daily                    | 1    |
| 18       | BOLT - DECAL    | Check Loose bolts               | 1    |
| 19       | DANGER-RED      | Caution 1                       | 1    |
| 20       | CAUTION - WHITE | Caution 2                       | 1    |
| 21       | WARNING - SMALL | Caution 3                       | 1    |
| 22       | PRO65-DECAL     | California Decal                | 1    |
| 23       | BR-Name Plate   | Breaker Name Plate              | 1    |
| 24       | SSL-Name Plate  | SSL Bracket Name Plate          | 1    |

※For Tool Box please contact Your Dealer.