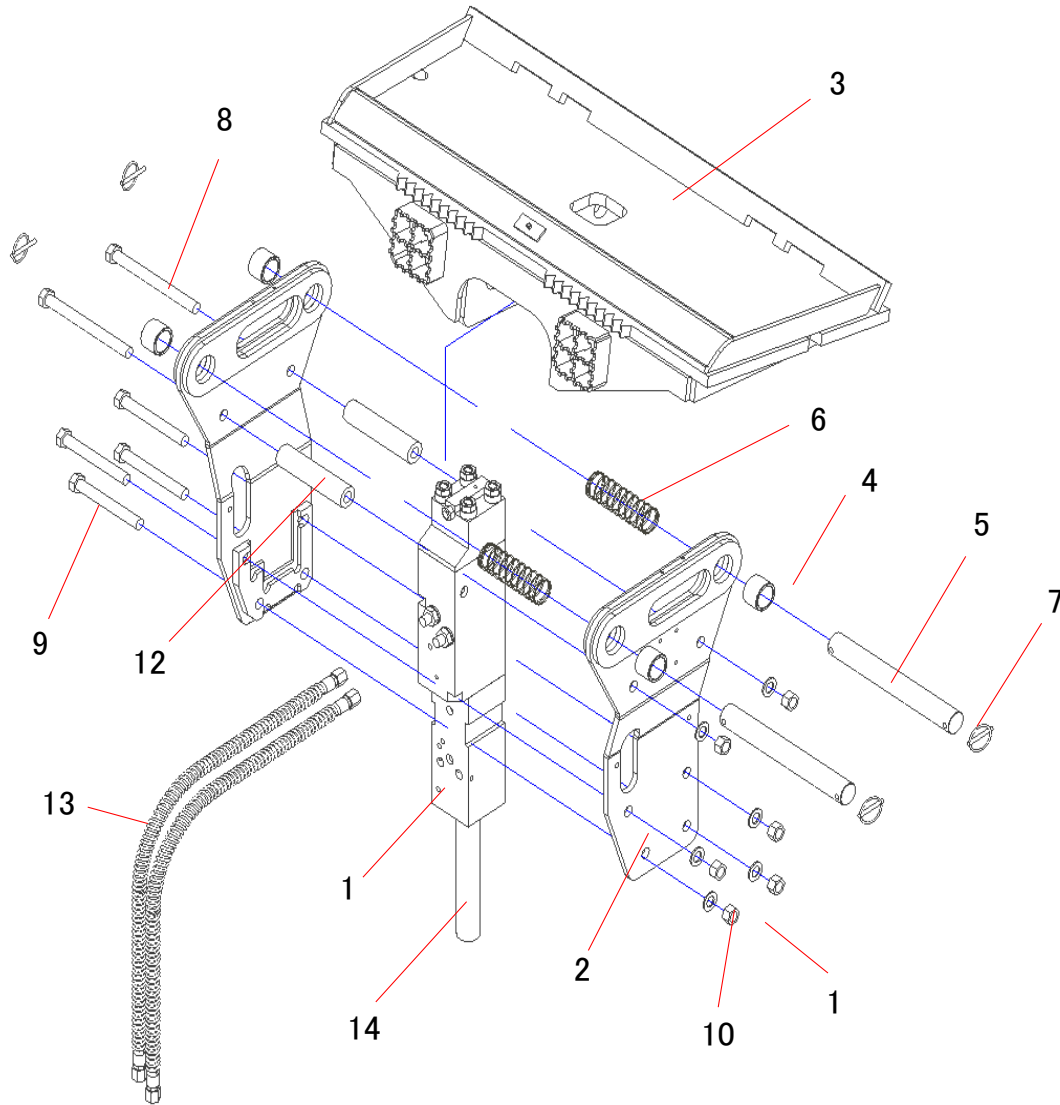


# TNB-2M-SSL

2020/11/04  
No.1



Item No.	Comp Item Code	Comp Item Description	Q'ty
1	515114	Bare Breaker, 2M	1
2	BKT-2M-BD	Side Plates, B&D, 2M	1
3	CB-1POS	1-Position Common Bed (BD)	1
4	PBB57-45-0-40	BUSH CONVERSION	4
5	PBP45-360-SSL	Pin 45X360 2M/3MB/4M/5M (12430	2
6	900564-9S	Steel coil spring guard. 47.5	2
7	PIN-CLIP	PIN-CLIP (Lynch Pin)	4
8	BLT-M22-240	BOLT H.T. CL.10 M22X240 4M	2
9	BLT-M22-180	BOLT H.T. CL.10 M22X180 2M	4
10	WASHER-M22	M22 Ribbed Washer	6
11	NUT-M22	NUT H.T. M22	6
12	SPACER-44.5-190	SPACER 44.5X190 2M/4M	2
13	※1	Hydraulic Hose	2
14	※1	Moil Point	1

※1・・・For Hydraulic Hose and/or Moil Point please contact Your Dealer.

※For Decal and/or Tool Box please contact Your Dealer.