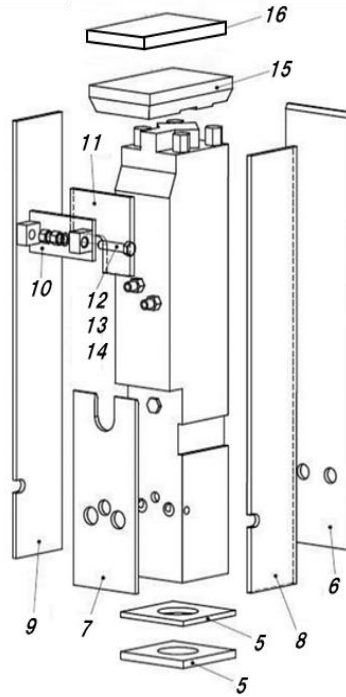
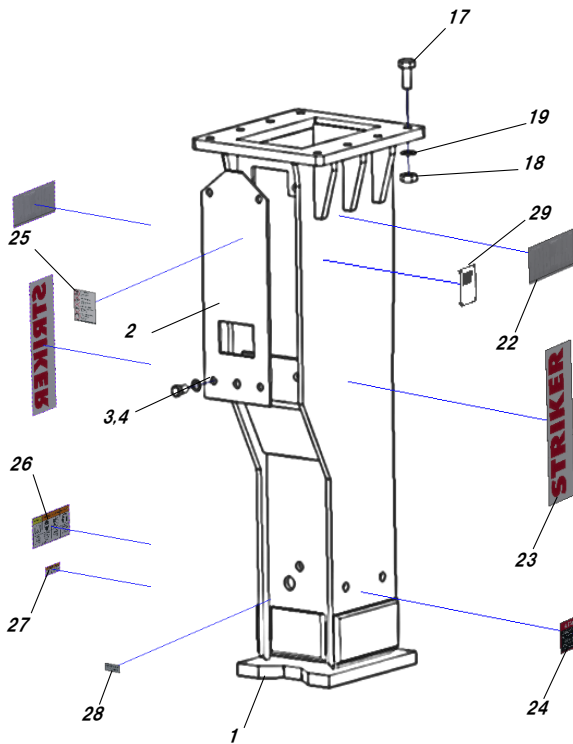
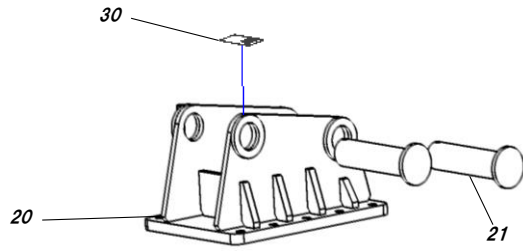


TNB-3MB-BX

5/1/2023

No.1



Item No.	Item Code	Item Description	Q'ty
1	4156DCAA0	Box Bracket	1 Set
2	4156DEAA0	Control valve plate	1
3	131612020	Hex Bolt	5
4	131301012	Washer	5
5	136050020	Under Spacer A	2
6	136053020	Back spacer	1
7	136054020	Chisel Holder spacer	1
8	136055020	Side Spacer R	1
9	136056020	Side Spacer L	1
10	4155BGAA1	Guide Plate	1
11	136077030	Guide Spacer	1
12	131616070	Hex Bolt	2
13	131306016	Washer	2
14	134452016	Lock NUT	2
15	4155BSAA0	Top Cover A	1
16	136060020	Top Cover B	1
17	131666060	H.T Bolt	8
18	134451016	H.T Nut	8
19	131357016	H.T Washer	8
20	Per Machine Model	Top Bracket	1
21	Per Machine Model	Top Cap Pin	2
22	DECAL-3MB	TNB-3MB	2
23	STRIKER-MEDIUM	Striker Decal (Medium)	2
24	DANGER-RED	Danger decal	1
25	CAUTION - WHITE	Caution 1	1
26	WARNING - SMALL	Caution 2	1
27	PRO65-DECAL	Caution 3	1
28	GREASE-DECAL	Grease Daily	1
29	BR-Name Plate	Breaker Name Plate	1
30	TB-Name Plate	Top Bracket Name Plate	1

※For Hoses, Tool and Tool Box, please contact Your Dealer.