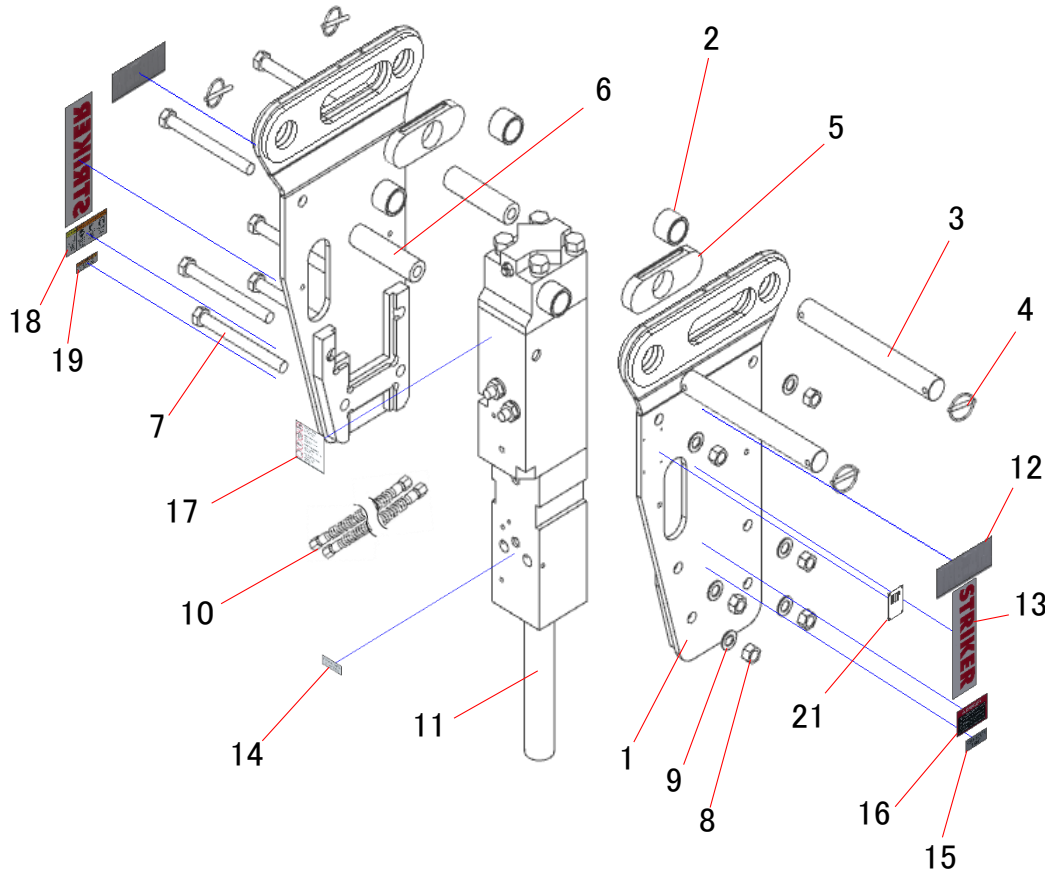


# TNB-3MB-MX

5/1/2023  
No.1



Item No.	Item Code	Item Description	Q'ty
1	BKT-3MB-BD	Side Plates	1 set
2	Per Machine Model	Bushings	4
3	Per Machine Model	Pins	2
4	PIN-CLIP	Lynch Pin	4
5	Per Machine Model	Oval Insert	2
6	SPACER-22-165	Spacer	2
7	BLT-M22-220	Bracket Bolts	6
8	NUT-M22	Nut	6
9	WASHER-M22	Washer	6
10	SHG-2095	Hydraulic Hose Coupler	1
	SHG-2094	Hydraulic Hose Nipple	1
11	415635410	Moil Point	1
12	DECAL-3MB	TNB-3MB	2
13	STRIKER-MEDIUM	Striker Decal (Medium)	2
14	GREASE-DECAL	Grease Daily	1
15	BOLT - DECAL	Check Loose bolts	1
16	DANGER-RED	Caution 1	1
17	CAUTION - WHITE	Caution 2	1
18	WARNING - SMALL	Caution 3	1
19	PRO65-DECAL	California Decal	1
20	BR-Name Plate	Breaker Name Plate	1

※For Other tools, Tool Box, please contact Your Dealer.