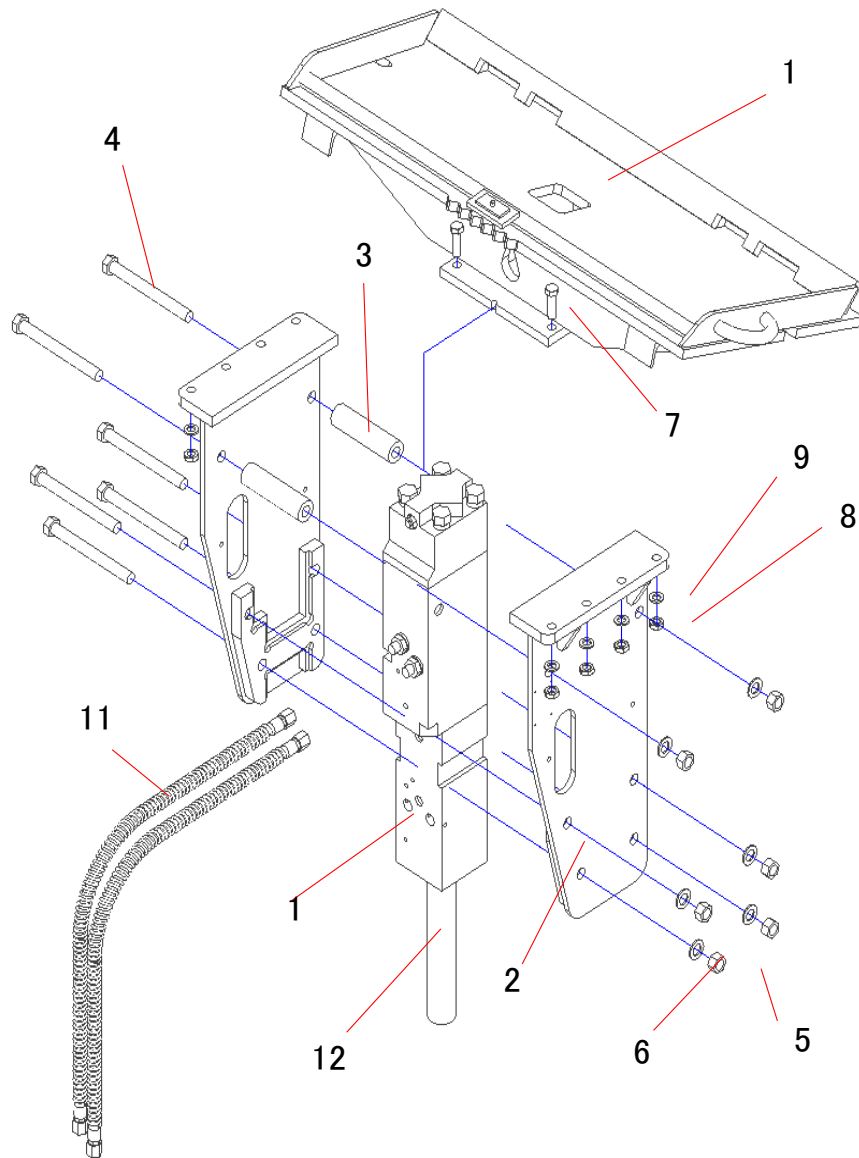


TNB-3MB-SSL-D

2020/11/04
No.1



Item No.	Comp Item Code	Comp Item Description	Q'ty
1	515635	Bare Breaker, 3MB	1
2	BKT-3MB-FL-BD	TNB-3MB Flange plates	1
3	SPACER-22-165	SPACER 22x160	2
4	BLT-M22-220	Bolt, H.T. Class 10, M20x220	6
5	NUT-M22	Nut, H.T., M20	6
6	WASHER-M22	Washer, Ribbed, M20	6
7	BLT-M16-55	Bolt H.T. M16 x 55 2M/3M/4M/5M	8
8	NUT-M16	NUT H.T. M16	8
9	WASHER-M16	M16 Ribbed Washer HD TY	8
10	CB-3M-FL	Dedicated Skidsteer for TNB-3M	1
11	※1	Hydraulic Hose	2
12	※1	Moil Point	1

※1・・・For Hydraulic Hose and/or Moil Point please contact Your Dealer.

※For Decal and/or Tool Box please contact Your Dealer.