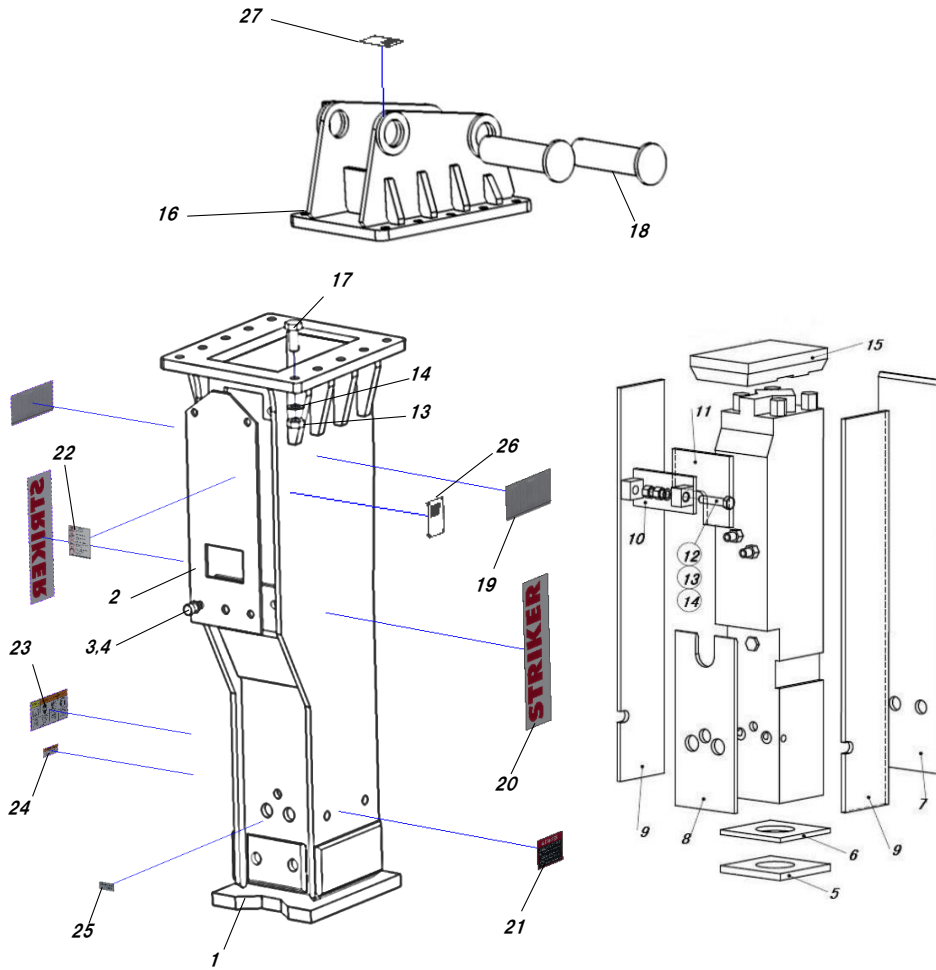


# TNB-4M-BX

5/1/2023  
No.1



Item No.	Item Code	Item Description	Q'ty
1	BKT-4M-BX	Box Bracket	1 Set
2	4M002	Control valve plate	1
3	BLT-M12-25	Hex Bolt	5
4	WASHER-M12	Washer	5
5	4M008	Under Spacer A	1
6	4M009	Under Spacer B	1
7	4M010	Back spacer	1
8	4M008	Chisel Holder spacer	1
9	4M009	Side Spacer (L,R)	2
10	4M010	Guide Plate	1
11	4M011	Guide Spacer	1
12	BLT-M16-70	Hex Bolt	2
13	WASHER-M16	Washer	12
14	NUT-M16	H.T.NUT	14
15	4M015	Top Cover A	1
16	Per Machine Model	Top Bracket	1
17	BLT-MK16-55	Hex Bolt	10
18	Per Machine Model	Top Cap Pin	2
19	DECAL-4M	TNB-4M	2
20	STRIKER-MEDIUM	Striker Decal (Medium)	2
21	DANGER-RED	Caution 1	1
22	CAUTION - WHITE	Caution 2	1
23	WARNING - SMALL	Caution 3	1
24	PRO65-DECAL	California Decal	1
25	GREASE-DECAL	Grease Daily	1
26	BR-Name Plate	Breaker Name Plate	1
27	TB-Name Plate	Top Bracket Name Plate	1

※For Hydraulic Hose, Tools and Tool Box, please contact Your Dealer.