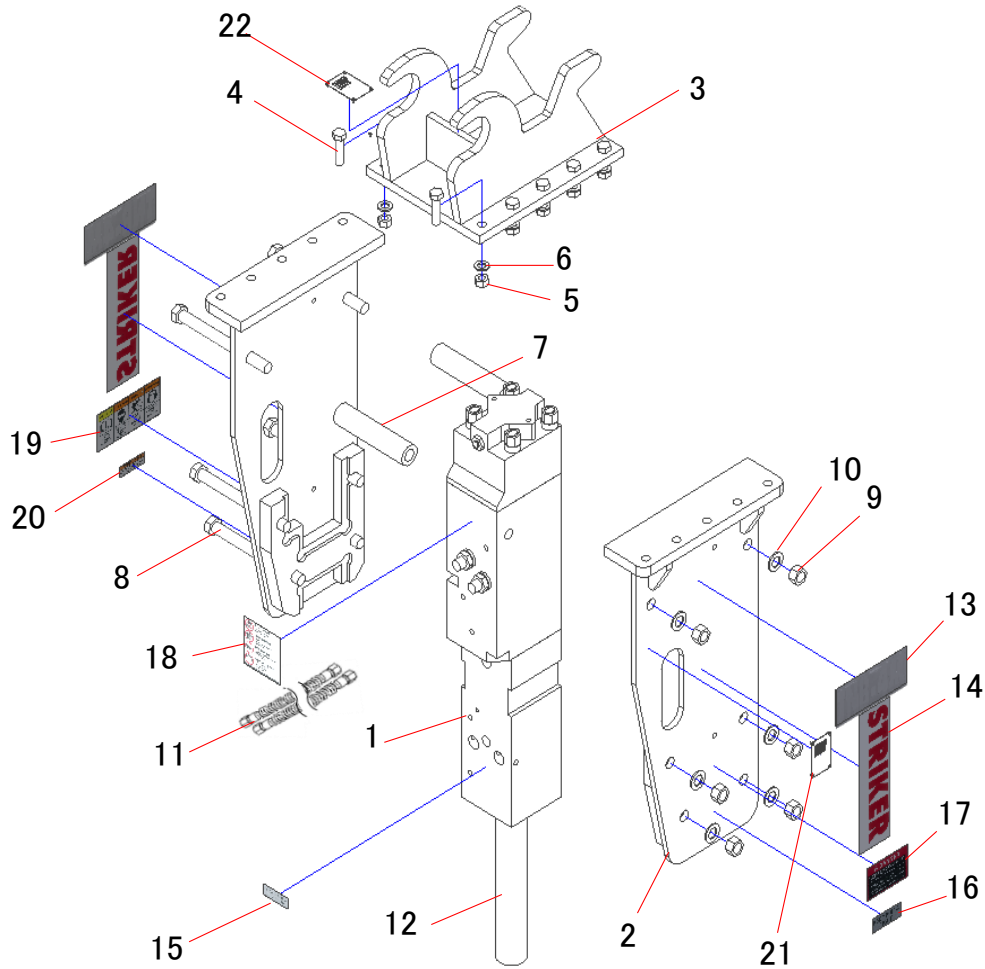


TNB-4M-FL-JD

5/1/2023
No.1



Item No.	Item Code	Item Description	Q'ty
1	515116	Bare Breaker, 4M	1
2	BKT-4M-FL-BD	Flange Plates, B&D, 4M	1
3	Per Machine Model	DEERE ZTS	1
4	BLT-M16-55	Bolt H.T. M16 x 55 2M/3M/4M/5M	10
5	NUT-M16	NUT H.T. M16	10
6	WASHER-M16	M16 Ribbed Washer HD TY	10
7	SPACER-44.5-190	SPACER 44.5X190 2M/4M	2
8	BLT-M22-240	BOLT H.T. CL.10 M22X240 4M	6
9	NUT-M22	NUT H.T. M22	6
10	WASHER-M22	M22 Ribbed Washer	6
11	SGH-2090	Hydraulic Hose Coupler	1
	SGH-2079	Hydraulic Hose Nipple	1
12	415169410	Moil Point	1
13	DECAL-4M	TNB-4M	2
14	STRIKER-MEDIUM	Striker Decal (Medium)	2
15	GREASE-DECAL	Grease Daily	1
16	BOLT - DECAL	Check Loose bolts	1
17	DANGER-RED	Caution 1	1
18	CAUTION - WHITE	Caution 2	1
19	WARNING - SMALL	Caution 3	1
20	PRO65-DECAL	California Decal	1
21	BR-Name Plate	Breaker Name Plate	1
22	TB-Name Plate	Top Bracket Name Plate	1

※For Other tools and Tool Box, please contact Your Dealer.