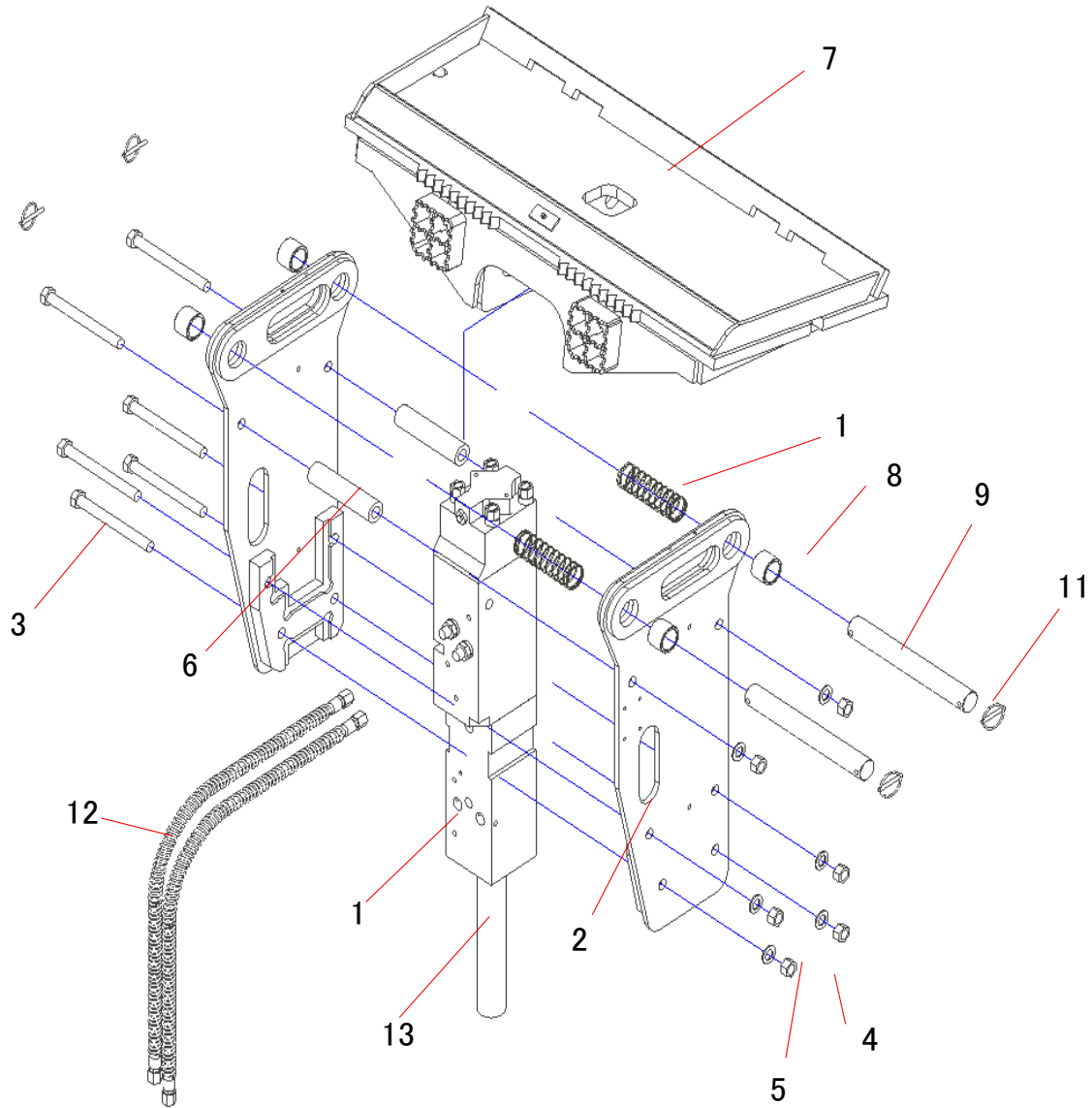


TNB-4M-SSL

2020/11/04
No.1



Item No.	Comp Item Code	Comp Item Description	Q'ty
1	515116	Bare Breaker, 4M	1
2	BKT-4M-BD	Side Plates, Oval, B&D, 4M	1
3	BLT-M22-240	BOLT H.T. CL.10 M22X240 4M	6
4	NUT-M22	NUT H.T. M22	6
5	WASHER-M22	M22 Ribbed Washer	6
6	SPACER-44.5-190	SPACER 44.5X190 2M/4M	2
7	CB-1POS	Skid Steer Bracket, 1-position	1
8	PBB57-45-0-40	BUSH CONVERSION	4
9	PBP45-360-SSL	Pin 45X360 2M/3MB/4M/5M (12430)	2
10	900564-9S	Steel coil spring guard. 47.5	2
11	PIN-CLIP	PIN-CLIP (Lynch Pin)	4
12	※1	Hydraulic Hose	2
13	※1	Moil Point	1

※1・・・For Hydraulic Hose and/or Moil Point please contact Your Dealer.

※For Decal and/or Tool Box please contact Your Dealer.