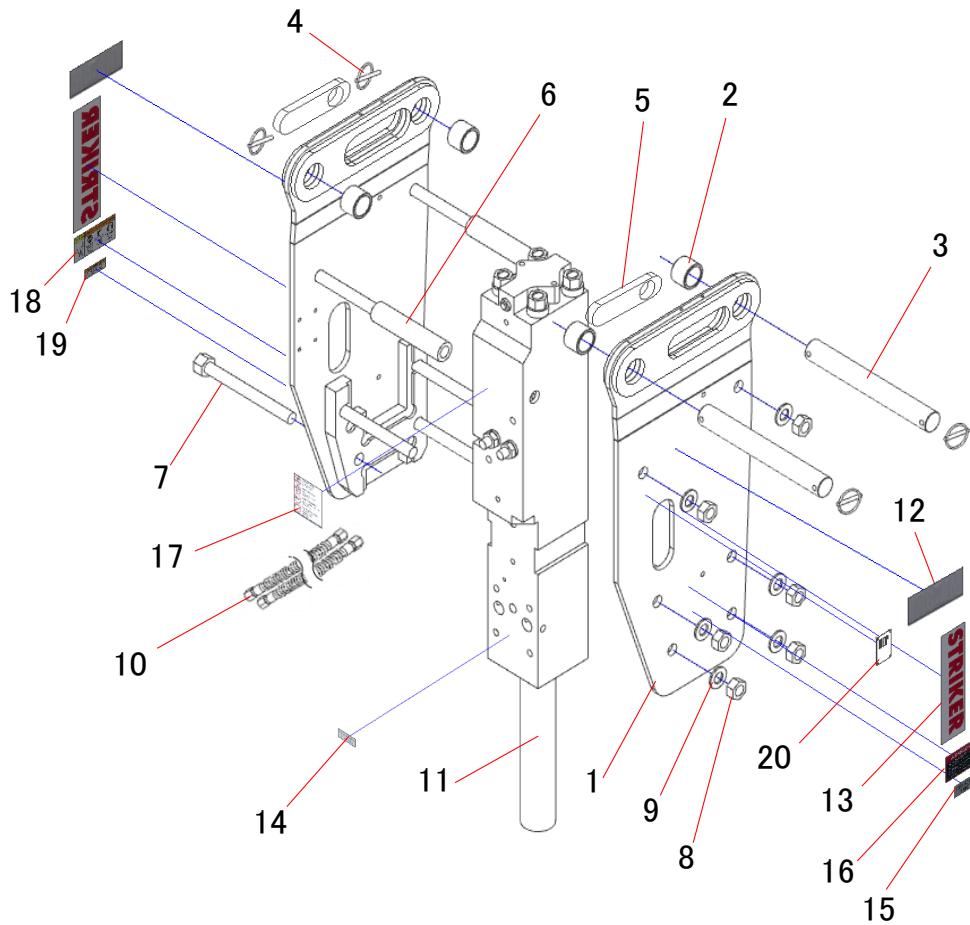


# TNB-5M-MX

5/1/2023  
No.1



Item No.	Item Code	Item Description	Q'ty
1	BKT-5M-BD	Side Plates	1 set
2	Per Machine Model	Bushings	4
3	Per Machine Model	Pins	2
4	PIN-CLIP	Lynch Pin	4
5	Per Machine Model	Oval Insert	2
6	SPACER-24-200	Spacer	2
7	BLT-M25-250	Bracket Bolts	6
8	NUT-M25	Nut	6
9	WASHER-M24	Washer	6
10	SGH-2081	Male Hose	1
	SGH-2091	Female Hose	1
11	415118412	Moil Point	1
12	DECAL-5M	TNB-5M	2
13	STRIKER-LARGE	Striker Decal (Large)	2
14	GREASE-DECAL	Grease Daily	1
15	BOLT - DECAL	Check Loose bolts	1
16	DANGER-RED	Caution 1	1
17	CAUTION - WHITE	Caution 2	1
18	WARNING- LARGE	Caution 4	1
19	PRO65-DECAL	California Decal	1
20	BR-Name Plate	Breaker Name Plate	1

※For Other tools or the Tool Box, please contact Your Dealer.