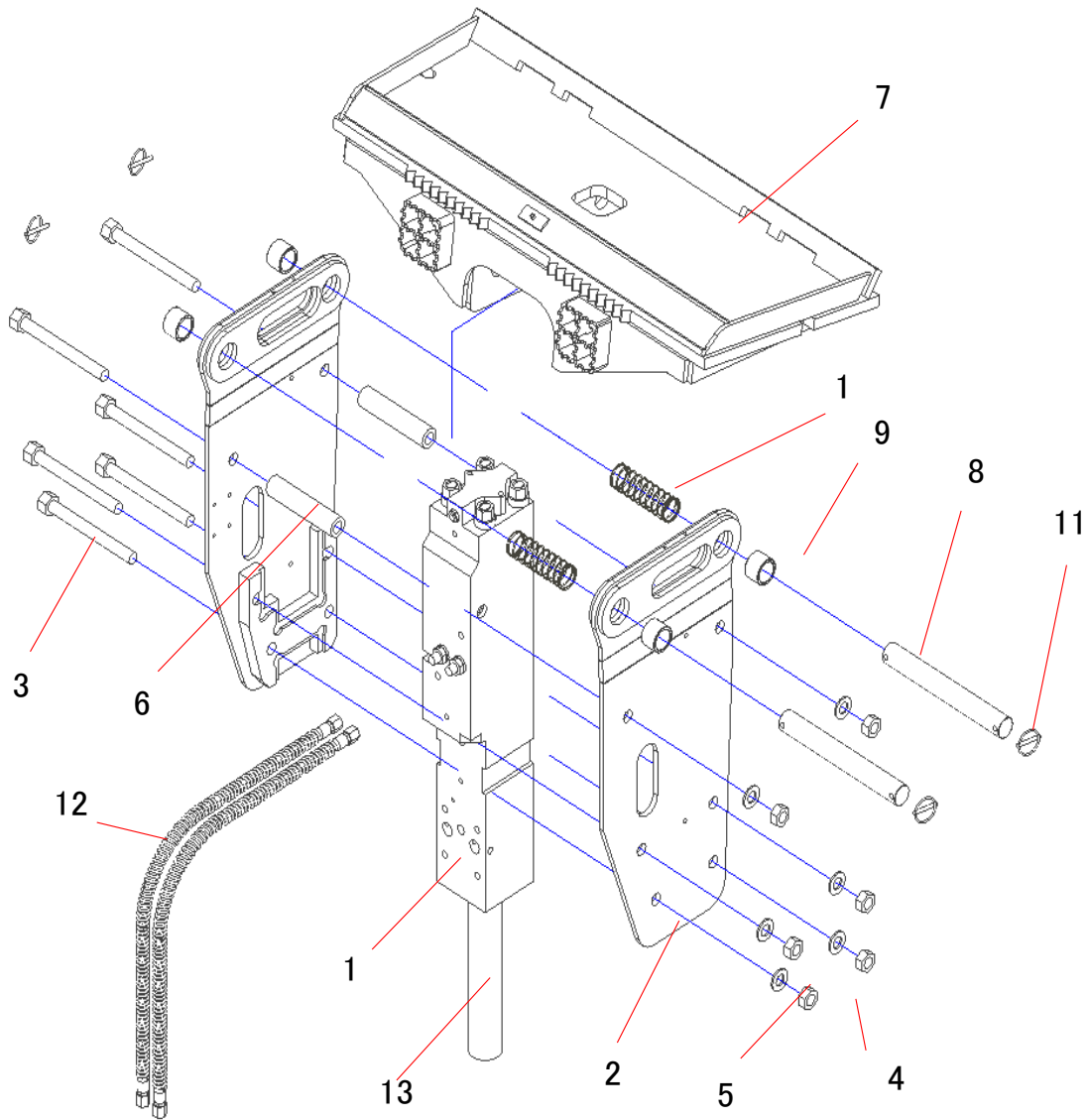


TNB-5M-SSL-3

2020/11/04
No.1



Item No.	Comp Item Code	Comp Item Description	Q'ty
1	515117	Bare Breaker, 5M	1
2	BKT-5M-BD	Oval Side Plates, B&D, 5M	1
3	BLT-M24-260	BOLT.H.T.CL 10 M24X260 (TNB-5M	6
4	NUT-M24	Nut, High Tension Hex, M24	6
5	WASHER-M24	Washer, Ribbed, M24	6
6	SPACER-24-200	SPACER 24X200 (TNB-5M SSL, MX	2
7	CB-3POS	3-position Common Bed (BD)	1
8	PBP45-360-SSL	Pin 45X360 2M/3MB/4M/5M (12430	2
9	PBB57-45-0-40	BUSH CONVERSION	4
10	900564-9S	Steel coil spring guard. 47.5	2
11	PIN-CLIP	PIN-CLIP (Lynch Pin)	4
12	※1	Hydraulic Hose	2
13	※1	Moil Point	1

※1・・・For Hydraulic Hose and/or Moil Point please contact Your Dealer.

※For Decal and/or Tool Box please contact Your Dealer.