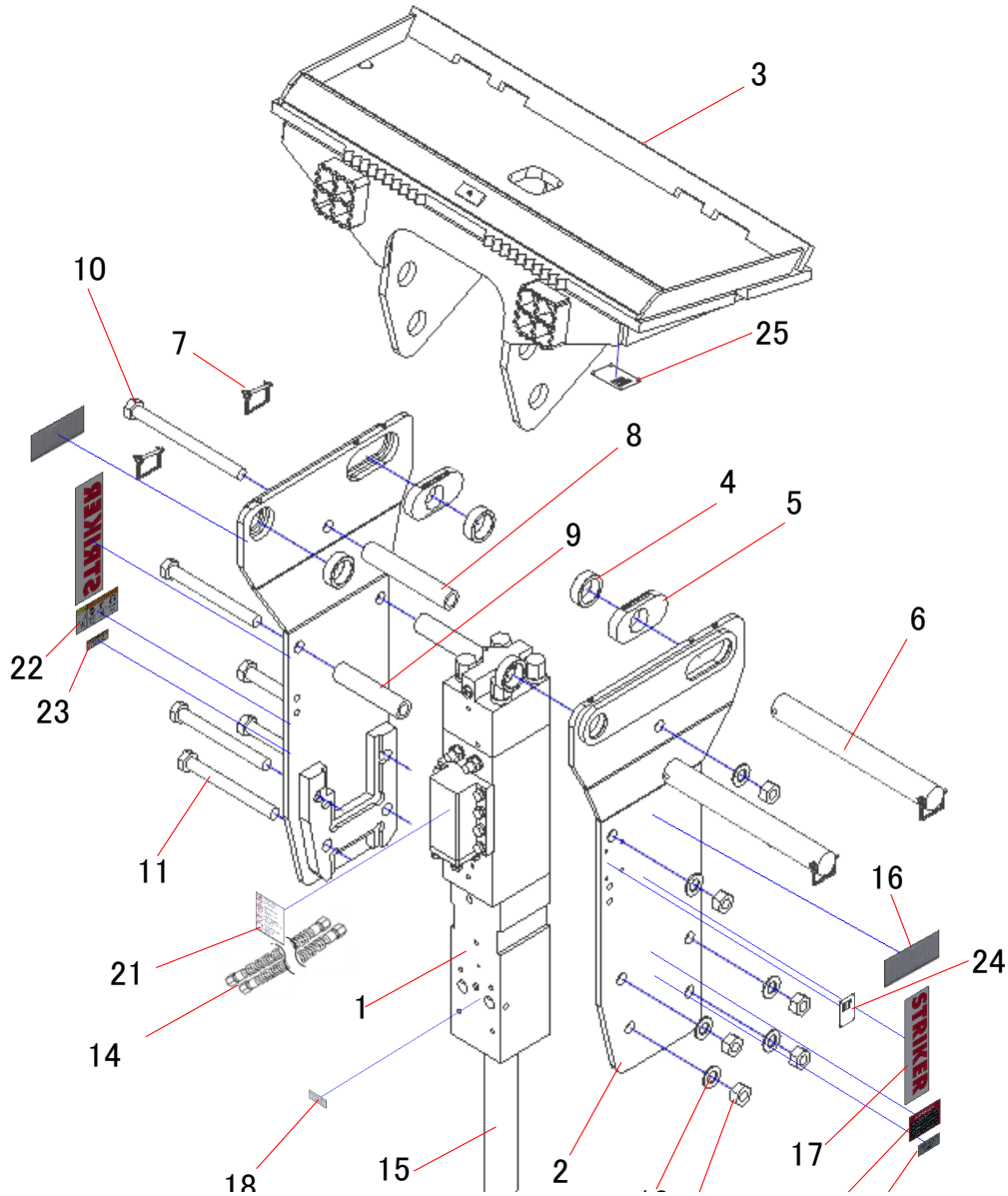


TNB-6M-SSL-MX-2POS

5/1/2023
No.1



| Item No. | Item Code | Item Description | Q'ty |
|----------|-----------------|---------------------------------|------|
| 1 | 515175 | Bare Breaker, 6M | 1 |
| 2 | BKT-6M-TLBQC-BD | Side Plates, TLB-QC, B&D, 6M | 1 |
| 3 | BLT-M27-265 | Bolt, M27x265, GR8 | 6 |
| 4 | BLT-M27-330 | BOLT H.T. CL.10 M27 X 330 (TNB) | 1 |
| 5 | NUT-M27-LN | NUT M27 Nylon Lock Class 10 Zi | 7 |
| 6 | WASHER-M27 | Washer | 6 |
| 7 | SPACER-24-200 | SPACER 24X200 (TNB-5M SSL, MX) | 2 |
| 8 | SPACER-24-257 | SPACER 24X257 (TNB-5M&6M TLB) | 1 |
| 9 | PBB76-57-0-25 | Round Insert, TLB-QC Plate | 2 |
| 10 | PVP-28013 | Variable Plate 13.31" & 14.00" | 2 |
| 11 | PBP56-483 | Pin | 2 |
| 12 | 000-B-28-02 | 5/16x2-1/2 SQ. DBL. Wire Lock | 4 |
| 13 | CB-2POS | 2 position SSL Common Bed | 1 |
| 14 | ※1 | Hydraulic Hose Nipple | 1 |
| | ※1 | Hydraulic Hose Coupler | 1 |
| 15 | 415118412 | Moil Point | 1 |
| 16 | DECAL-6M | TNB-6M | 2 |
| 17 | STRIKER-LARGE | Striker Decal (Large) | 2 |
| 18 | GREASE-DECAL | Grease Daily | 1 |
| 19 | BOLT - DECAL | Check Loose bolts | 1 |
| 20 | DANGER-RED | Caution 1 | 1 |
| 21 | CAUTION - WHITE | Caution 2 | 1 |
| 22 | WARNING- LARGE | Caution 4 | 1 |
| 23 | PRO65-DECAL | California Decal | 1 |
| 24 | BR-Name Plate | Breaker Name Plate | 1 |
| 25 | SSL-Name Plate | SSL Bracket Name Plate | 1 |

※1 ··· For Hydraulic Hoses, other tools and tool box, please contact Your Dealer.

10

11

13 12

20
19