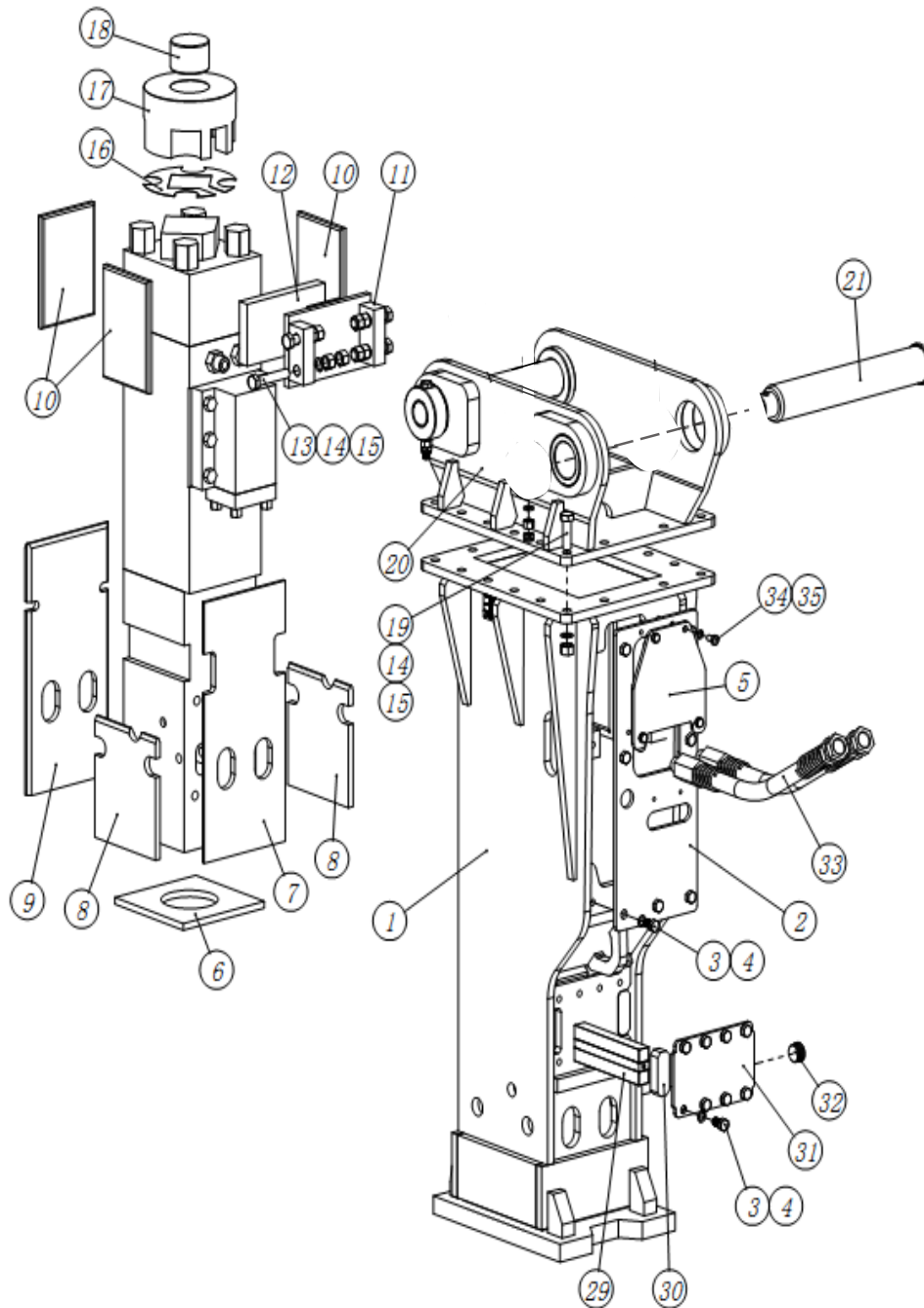


TNB-16K BOX BRACKET



Parts

2018.06.01

No.1

Sym	Part Code	Description	Q'ty	Int	Kit
1	BKT-110	BOX BRACKET CP	1		
2	100002	CONTROL VALVE PLATE	1		B
3	BLT-M16-30	H.T BOLT [M16x30]	17		B
4	WASHER-M16	SPRING WASHER [M16]	17		B
5	100005	GAS VALVE COVER PLATE	1		B
6	100006	UNDER SPACER	1		B
7	100007	CHISEL HOLDER SPACER	1		B
8	110008	SIDE SPACER	2		B
9	100009	BACK SPACER	1		B
10	100010	SMALL SPACER	3		B
11	100011	GUIDE PLATE	1		B
12	100012	GUIDE SPACER	1		B
13	BLT-M20-100	H.T BOLT [M20x100]	2		B
14	WASHER-M20	SPRING WASHER [M20]	20		B
15	NUT-M20	H.T NUT [M20]	24		B
16	100016	ADJUST MAT	1		B
17	100017	ISOLATOR TOP COVER	1		B
18	100018	NYLON POLE	1		B
19	BLT-M20-70	H.T BOLT [M20x70]	16		B
20	PER MACHINE MODEL	TOP CAP	1		
21	PER MACHINE MODEL	BRACKET PIN	1set		T
29	100030	ASSEMBLED LOCALIZER	2		B
30	100031	RUBBER PLATE	2		B
31	100032	COVER PLATE	1		B
32	136096128	PLUG ZG1 1/4"	1		B
33	SGH-2109	HOSE	2		
34	BLT-M12-20	BOLT	4		B
35	WASHER-M12	WASHER	4		B

Box Bracket CP consists of parts marked "B"

Top Cap consists of parts marked "T"

For Decal and/or Tool Box information, please contact your Dealer

INT(interchangeability)

- Interchangeable old ↔ new
- △ Interchangeable old → new
- ▲ Interchangeable old ← new
- × Not interchangeable