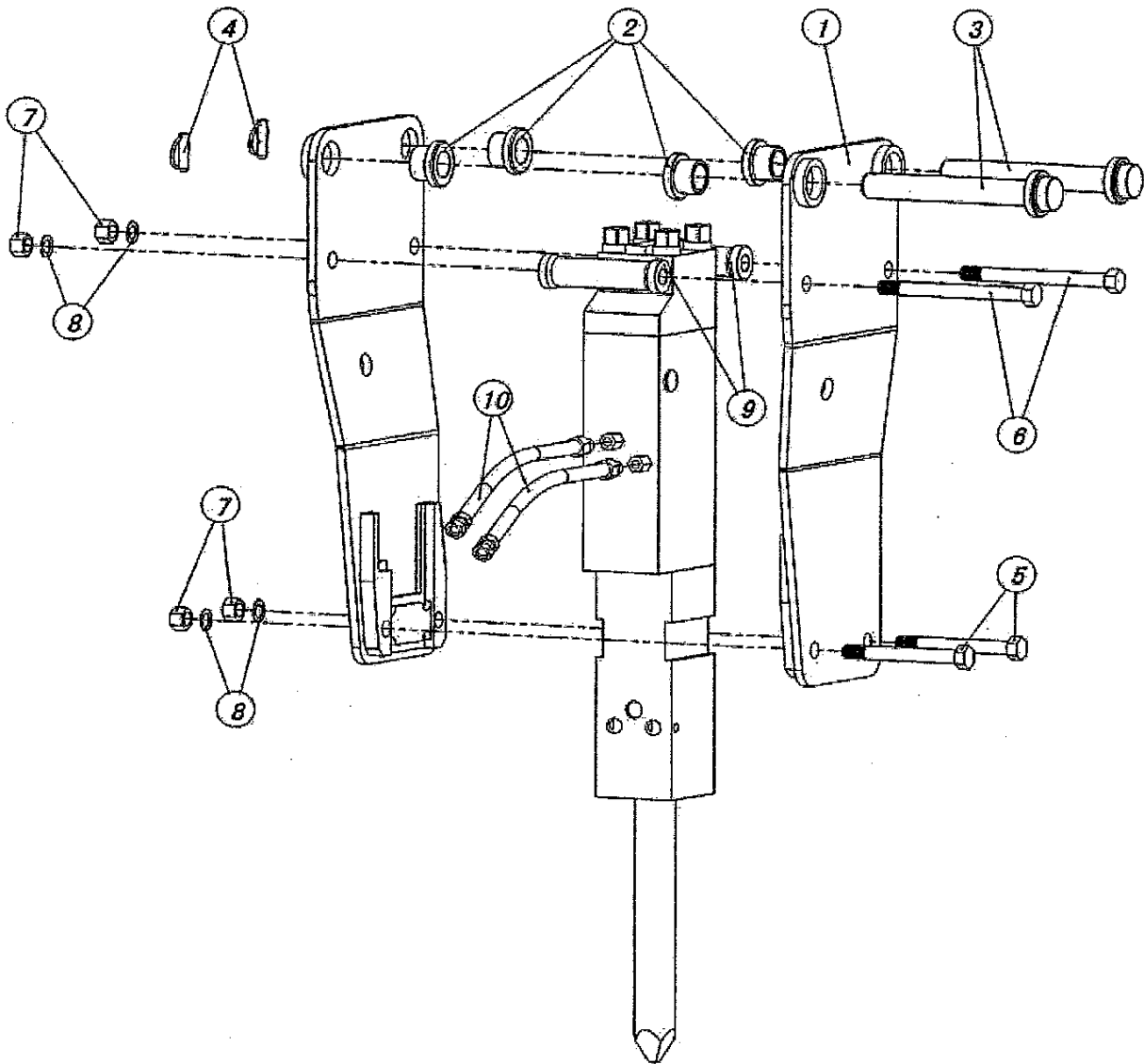


# TNB-1M MX



Item	Description	Part Number	Q'ty
1	Side Plates	BKT-1M-BD	1 set
2	Bushings	Per Machine	4
3	Pins	Per Machine	2
4	Lynch Pins	PIN-CLIP	4
5	Bracket Bolts(S)	BLT-M18-150	4
6	Bracket Bolts(L)	BLT-M18-200	2
7	Nut	NUT-M18	4
8	Washer	WASHER-M18	4
9	Spacer	SPACER-32-157	2
10	Hose Coupler	SGH-2095	1
	Hose Nipple	SGH-2094	1
	Moil Point	415105410	1

For Decal and/or Tool Box please contact Your Dealer