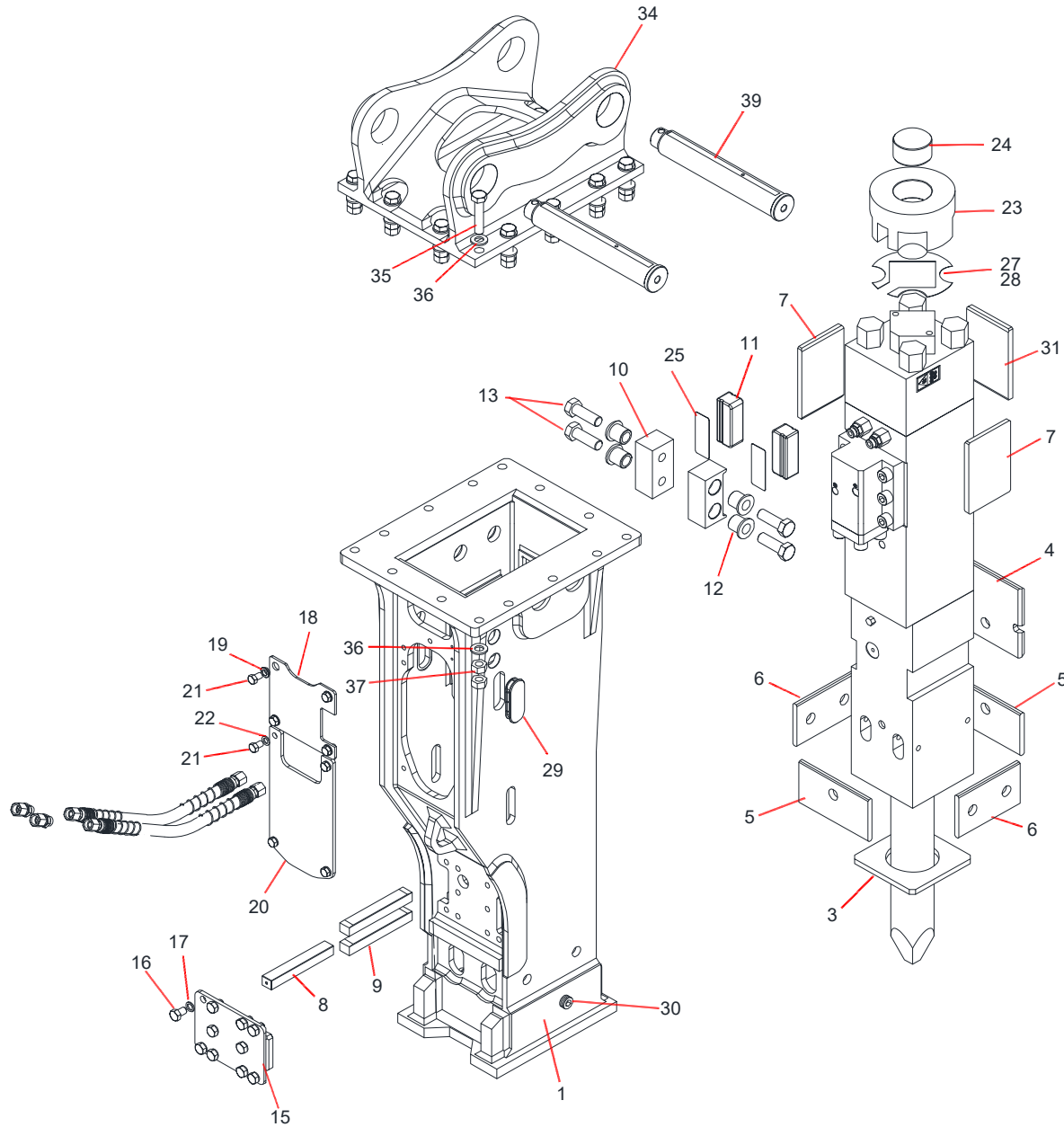


TNB-230LU2 BOX BRACKET



Parts

2020.12.03

No.8

Sym	Part Code	Description	Qty	Int	Kit
1	BKT-230LU1-K2	TOPMOUNTBOXBRACKETA	1	×	
	BKT-230LU1-K1	TOPMOUNTBOXBRACKETA	1	▲	B
	BKT-230LU1-K	TOPMOUNTBOXBRACKETA	1		B
3	230006-K1	SPACERUD	1	▲	B
	230006-K	SPACERUD	1		B
4	230009-K1	SPACERUR	1	▲	B
	230009-K	SPACERUR	1		B
5	230007-K1	SPACERUF	2	▲	B
	230007-K	SPACERUF	1		B
6	230008-K1	SPACERULR	2	▲	B
	230008-K	SPACERULR	2		B
7	230010	SPACERTRLR	2	▲	B
	230010	SPACERTRLR	3		B
8		KEYLR	2		B
9		ISOLATORCLR	4		
10	230011-K1	GUIDEPLATE	2	▲	B
	230011-K	GUIDEPLATE	1		B
11	230012-K1	ISOLORTF	2	▲	B
	230012-K	ISOLORTF	1		B
12	230013-K	GUIDEBUSH	4	▲	B
13	BLT-M36-110	BOLT	4	▲	B
	BLT-M36-140	BOLT	4		B
14	BOLT-M36-130	HARDLOCKNUT	0		B
		HARDLOCKNUT	4		B
15	230032-K	KEYCOVER	1		B
16	BLT-M24X35	BOLT	10		B
17	WASHER-M24	WASHER	10	▲	B
18	230005-K1	COVERA	1	▲	B
	230005-K	COVERA	1		B
19	151019-K	SLEEVEWASHER	4		B
20	230002-K2	COVERB	1	×	B
	230002-K1	COVERB	1		B
21	BLT-M20-35	BOLT	8		B
22	WASHER-M20	WASHER	4	▲	B
	WASHER-M20	WASHER	4		B
23	230017	ISOLORT	1		B
24	230018	STOPPER	1	▲	B
25	230025-K1	GUIDEPLATESHIM	2	▲	
	230025-K	GUIDEPLATESHIM0.5	1		
26		GUIDEPLATESHIM1.0	0		
		GUIDEPLATESHIM1.0	1		
27	230016	ISOLORTSHIM1.0	1		
28	230016-2	ISOLORTSHIM2.0	1		
29	151029	SIDEPLUG	2		B
30	UPON REQUEST	PLUG	1		B
31	230033-K	ISOLORTR	1		B
34	Per Machine	TOPMOUNTBOXBRACKETB	1		
35	BLT-M30-140	BOLT	14		B
36	WASHER-M30	WASHER	28		B
37	NUT-M30-HT	NUT	28		B
39	Per Machine	BRACKETPIN KIT	1		T

Box Bracket CP consists of parts marked "B"

Top Cap consists of parts marked "T"

For Decal and/or Tool Box information, please contact your Dealer

INT(interchangeability)

○ Interchangeable old ↔ new

△ Interchangeable old → new

▲ Interchangeable old ← new

× Not interchangeable