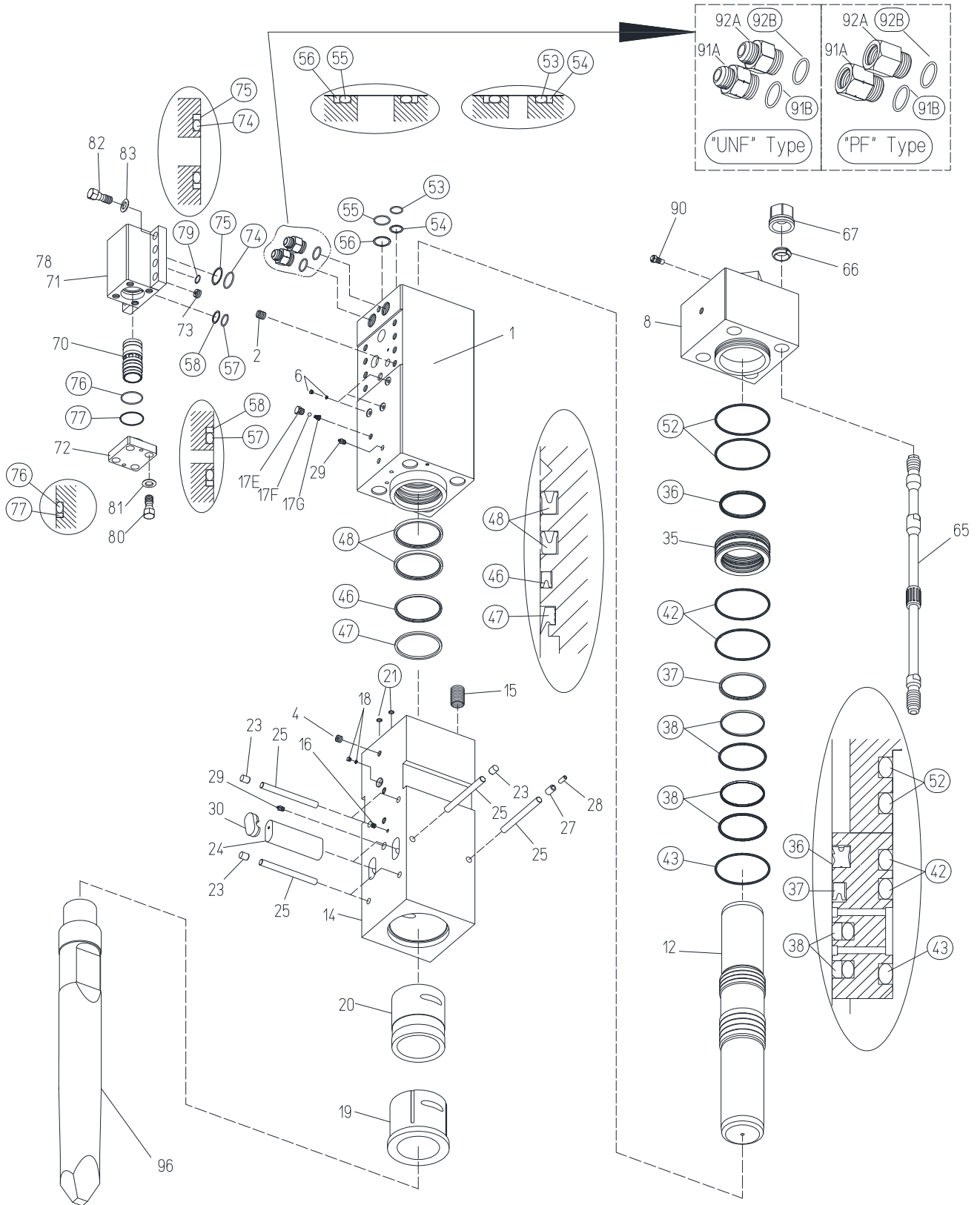


# TNB-310LU



# Parts

2011.04.30

No.7

Sym	Part Code	Description	Q'ty	Ser.No.	Int	Remarks	Kit
	41568001R	Cylinder CP	1CP	1406-	×		
	41568001Q	Cylinder CP	1CP	1309-1405	○		
	41568001L	Cylinder CP	1CP	1307-1308	×		
	41568001C	Cylinder CP	1CP	1228-1306			
1	415680012	Cylinder	1CP	1406-	×		C
	415680011	Cylinder	1	1309-1405	×		C
	415680010	Cylinder	1	1228-1308			C
2	131033012	Helisert	1	1228-			C
3	134903002	Hex Plug	8	1228-1405			C
4	134901104	Hex Plug	1	1406-			H
	134901104	Hex Plug	1	1307-1405			C,H
	134901104	Hex Plug	2	1228-1306			C
5	134912002	Hex Socket Flange Plug	2	1406-			C
	134912002	Hex Socket Flange Plug	3	1309-1405			C
	134912002	Hex Socket Flange Plug	2	1228-1308			C
8	415194031	Cylinder Cover	1	1228-			
12	415194040	Piston	1	1228-			
	41519505A	Chisel Hoder CP	1	1307-	×		
	41519505H	Chisel Hoder CP	1CP	1228-1306			
14	415195052	Chisel Hoder CP	1CP	1228-			H
15	131052074	Helisert	1	1228-			H
16	134901102	Hex Plug	4	1228-			H
		Air Cap CP	1	1307-			C
		Air Cap CP	1	1228-1306			H
17E	415143660	Air Cap	1	1307-			A,C
	415143660	Air Cap	1	1228-1306			A,H
17F	130505028	Ball	1	1307-			A,C
	130505028	Ball	1	1228-1306			A,H
17G	130806014	Air Cap Spring	1	1307-			A,C
	130806014	Air Cap Spring	1	1228-1306			A,H
18	182136006	O-Ring Plug	1	1228-			H
19	415159060	Chisel Bushing	1	1228-			H
20	415159140	Chisel Holder Bushing	1	1228-			H
21	131101013	O-Ring	2	1228-			S
23	136402011	Retainer Pin Stopper Plug	5	1228-			H
24	415195100	Retainer Pin	2	1228-			
25	415159250	Stopper Pin	6	1228-			H
27	130620030	Spring pin	1	1228-			H
28	130620030	Spring pin	1	1228-			H
29	135013002	Grease Nipple	2	1228-			C,H
30	136402043	Retainer Pin Plug	2	1228-			
35	415159131	Packing Bushing	1	1228-			S
36	131220300	Gas Seal	1	1228-			S
37	131225300	Oil Seal	1	1228-			S
38	131230300	Slide Ring S	2	1228-			S
42	131102036	O-Ring	2	1228-			S
43	131102136	O-Ring	1	1228-			S
46	131225301	Oil Seal	1	1228-			S
47	131219300	Dust Seal	1	1228-			S
48	131227311	Buffer Ring	2	1228-			S
52	131102036	O-Ring	2	1228-			S
53	131101042	O-Ring	1	1228-			S
54	131121042	Back Up Ring	1	1228-			S
55	131101057	O-Ring	1	1228-			S
56	131121057	Back Up Ring	1	1228-			S

Sym	Part Code	Description	Q'ty	Ser.No.	Int	Remarks	Kit
57	131101045	O-Ring	2	1228-			V,S
58	131121045	Back Up Ring	2	1228-			V,S
65	415194161	Side Bolt	4	1228-			
66	136306022	Side Bolt Ring	4	1228-			
67	134206022	Side Bolt Nut	4	1228-			
70	415161200	Control Valve	1	1228-			
71	415161211	Control Valve Box	1	1406-	×		
	415161210	Control Valve Box	1	1228-1405			
72	415161220	Control Valve Cap	1	1228-			
73	415159230	Choke Plug	1	1228-			
74	131101063	O-Ring	2	1228-			V,S
75	131121063	Back Up Ring	2	1228-			V,S
76	131102018	O-Ring	1	1228-			V,S
77	131122018	Back Up Ring	1	1228-			V,S
79	131108023	O-Ring	1	1406-			S
80	131506038	Hex Bolt	4	1228-			
81	131313133	Washer	4	1228-			
82	131506039	Hex Bolt	8	1228-			
83	131313133	Washer	8	1228-			
90	41514130E	Gas Valve CP	1CP	1228-			
91A	41519435A	Hose Adapter IN "PF"	1	1228-		PF1-1/4	
91A	182092300	Hose Adapter IN "UNF"	1	1228-		1-5/8-12UNF	
91B	131108043	O-Ring	1	1228-			S
92A	41519448A	Hose Adapter OUT "PF"	1	1228-		PF1-1/4	
92A	182092301	Hose Adapter OUT "UNF"	1	1228-		1-5/8-12UNF	
92B	131108043	O-Ring	1	1228-			S
96	415195410	Moil Tool	1	1228-		L=1360	
	415195420	Blunt Tool	1	1228-		L=1360	
	415195430	Chisel Tool	1	1228-		L=1360	
	41568080H	Seal Kit	1Set	1406-	▲		
	41568080D	Seal Kit	1Set	1228-1405			

Air Cap CP consists of part marked "A"  
(#17E, 17F, & 17G NOT sold separately)

Cylinder CP consists of the parts marked "C".

Chisel Holder CP consists of the parts marked "H".

O-RING is included to #91A & #92A

Seal Kit consists of the parts marked "S".  
(Individual seals NOT sold separately)

Control Valve Seal Kit consists of parts marked "V"  
(Individual seals NOT sold separately)

INT(interchangeability)

○ Interchangeable old ↔ new

△ Interchangeable old → new

▲ Interchangeable old ← new

× Not interchangeable