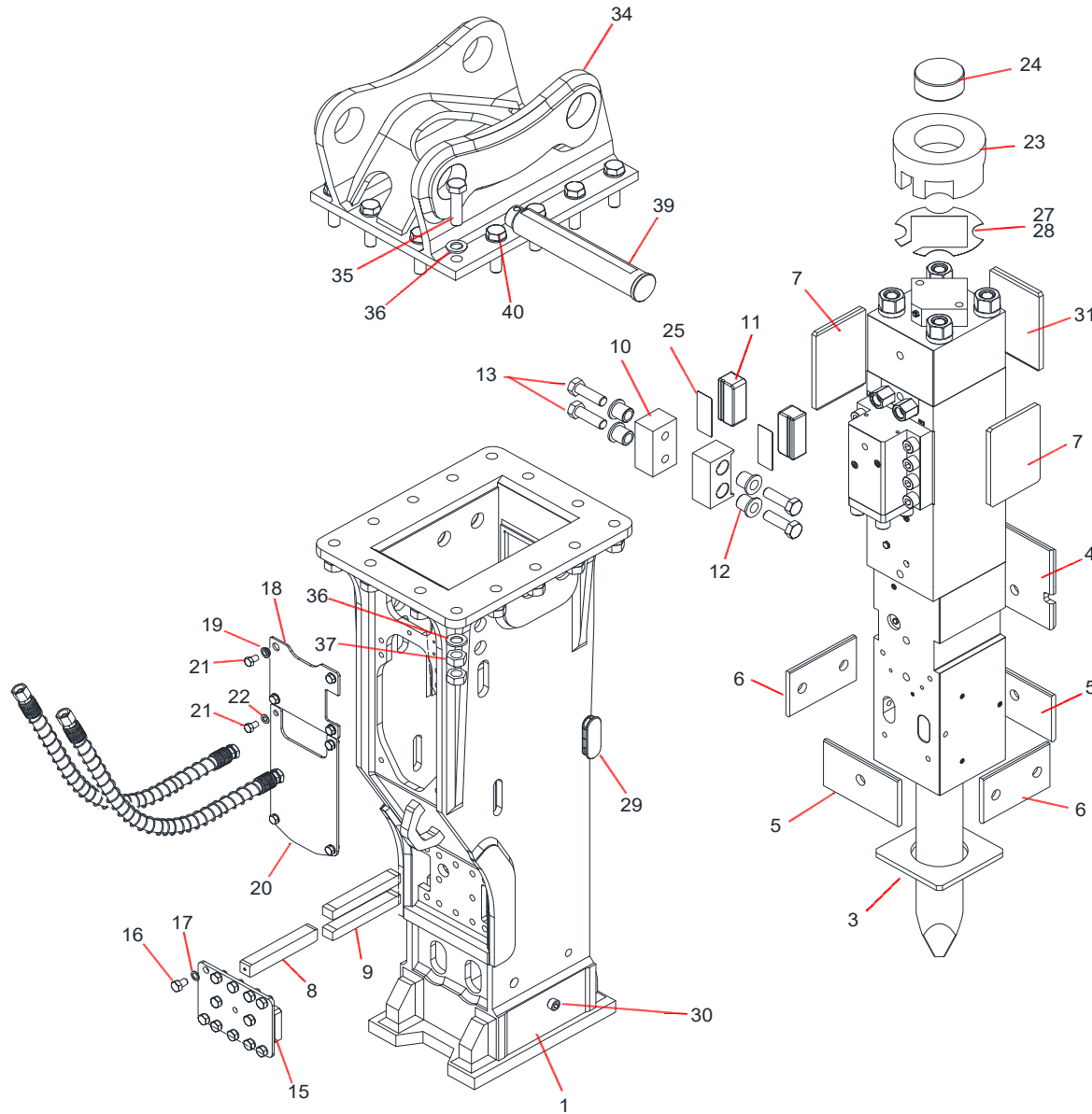


TNB-310LU1 BOX BRACKET



Parts

2020.12.03
No.7

Sym	Part Code	Description	Q'ty	Int	Kit
1	BKT-310LU1-K2	TOPMOUNTBOXBRACKETA	1	*	B
	BKT-310LU1-K1	TOPMOUNTBOXBRACKETA	1	▲	B
	BKT-310LU1-K	TOPMOUNTBOXBRACKETA	1		B
3	310006-K1	SPACERUD	1	▲	B
	310006-K	SPACERUD	1		B
4	310009-K1	SPACERUR	1	▲	B
	310009-K	SPACERUR	1		B
5	310007-K1	SPACERUF	2	▲	B
	310007-K	SPACERUF	1		B
6	310008-K1	SPACERULR	2	▲	B
	310008-K	SPACERULR	2		B
7	310010	SPACERTRLR	2		B
	310010	SPACERTRLR	3		B
8	310033	KEYLR	2		B
9	310033	ISOLATORCLR	4		B
10	310011-K1	GUIDE BLOCK	2	▲	B
	310011-K	GUIDEPLATE	1		B
11	310012-K1	ISOLORTF	2	▲	B
	310012-K	ISOLORTF	1		B
12	230013-K	GUIDEBUSH	4	▲	B
13	BLT-M36-120	BOLT	4	▲	B
	BLT-M36-140	BOLT	4		B
14	BOLT M36-130	HARDLOCKNUT	0		B
		HARDLOCKNUT	4		B
15	310035-K	KEYCOVER	1		B
16	BLT-M24X35	BOLT	12		B
17	WASHER-M24	WASHER	12	▲	B
18	310002-K2	COVERA	1	▲	B
	310002-K	COVERA	1		B
19	151019-K	SLEEVEWASHER	4		B
20	310002-K2	COVERB	1	*	B
	310002-K	COVERB	1		B
21	BLT-M20-35	BOLT	8		B
22	WASHER-M20	WASHER	4	▲	B
	WASHER-M20	WASHER	4		B
23	310020	ISOLORT	1		B
24	310021	STOPPER	1	▲	B
25	310025-K	GUIDEPLATESHIM	2	▲	
	230025-K	GUIDEPLATESHIM0.5	1		
26	230025-K	GUIDEPLATESHIM1.0	0		
		GUIDEPLATESHIM1.0	1		
27	310019	ISOLORTSHIM1.0	1		
28	310019-2	ISOLORTSHIM2.0	1		
29	151029	SIDEPLUG	2		B
30	UPON REQUEST	PLUG	1		B
31	310031-K	ISOLORTTR	1		B
34	Per Machine	TOPMOUNTBOXBRACKETB	1		
35	BLT-M39-160	BOLT	14		B
36	WASHER-M39	WASHER	28		B
37	NUT-M39	NUT	28		B
39	Per Machine	BRACKETPIN KIT	1		T

Box Bracket CP consists of parts marked "B"

Top Cap consists of parts marked "T"

For Decal and/or Tool Box information, please contact your Dealer

INT(interchangeability)

○ Interchangeable old ↔ new

△ Interchangeable old → new

▲ Interchangeable old ← new

* Not interchangeable