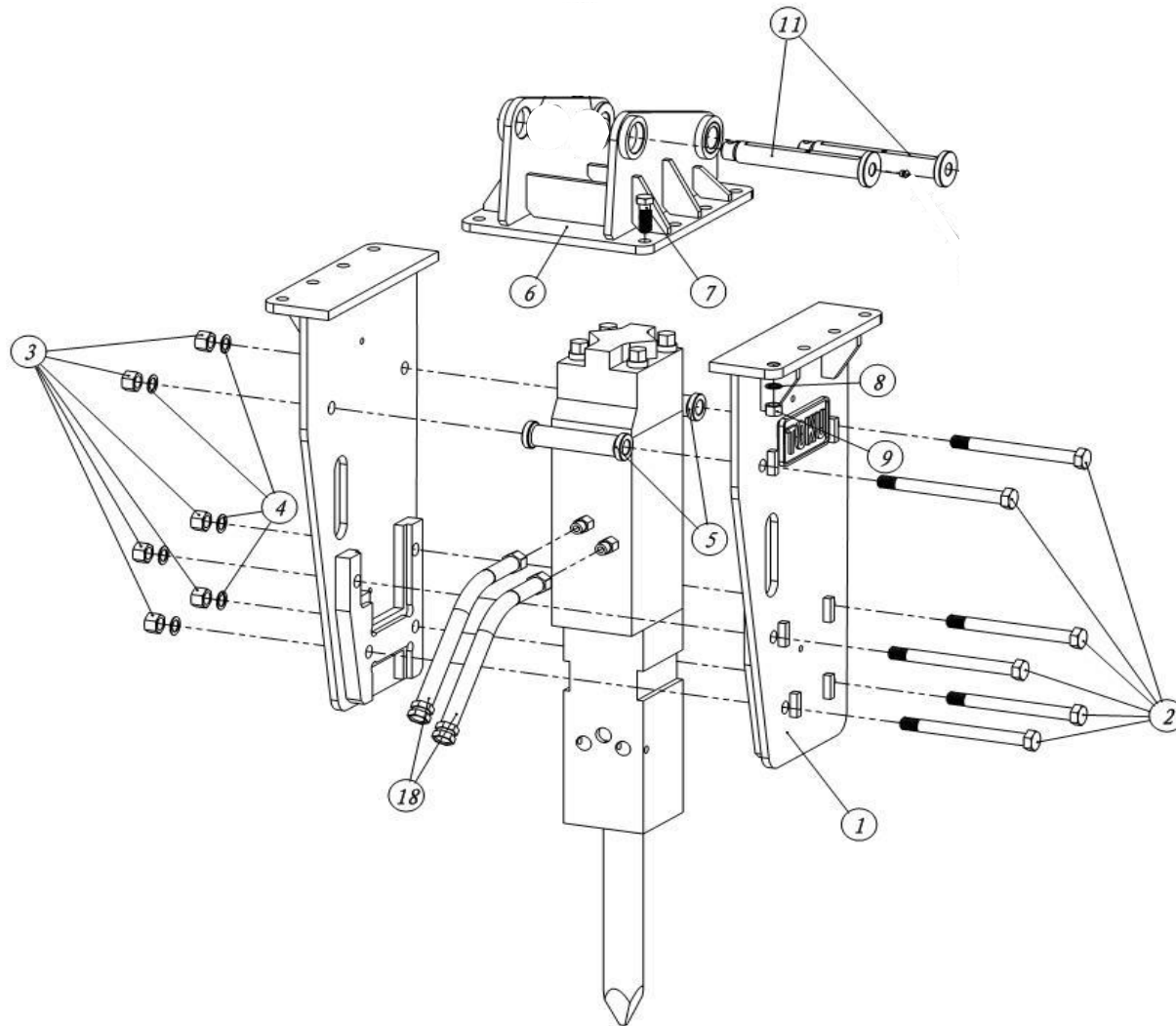


TNB-4M FLANGE BRACKET



Parts

2019.01.01

No.2

Sym	Part Code	Description	Q'ty	Int	Kit
1	BKT-4M-FL-BD	FLANGE SIDE PLATE	1	○	
	BKT-4M-FL	FLANGE SIDE PLATE	1		
2	BLT-M22-240	BRACKET BOLT [M22*240]	6	×	
	BLT-M24-240	BRACKET BOLT [M24*240]	6		
3	NUT-M22	BRACKET BOLT NUT [M22]	6	×	
	NUT-M24	BRACKET BOLT NUT [M24]	6		
4	WASHER-M22	RIBBED WASHER [M22]	6	×	
	WASHER-M24	RIBBED WASHER [M24]	6		
5	SPACER-44.5-190	SPACER	2	×	
	SPACER-28-180	SPACER	2		
6	Per Machine Model	TOP CAP	1		
7	BLT-M16-55	H.T BOLT [M16*55]	10		
8	WASHER-M16	WASHER [M16]	10		
9	NUT-M16	H.T NUT [M16]	10		
11	Per Machine Model	TOP CAP PIN	2		
18	SGH-2081	MX MALE HOSE	1		
	SGH-2091	MX FEMALE HOSE	1		
	SGH-2079	SSL MALE HOSE	1		
	SGH-2090	SSL FEMALE HOSE	1		

BKT-4M-FL-BD requires M22 hardware. BKT-4M-FL requires M24 hardware.

For Decal and/or Tool Box information, please contact your Dealer

INT(interchangeability)

○ Interchangeable old ↔ new

△ Interchangeable old → new

▲ Interchangeable old ← new

× Not interchangeable