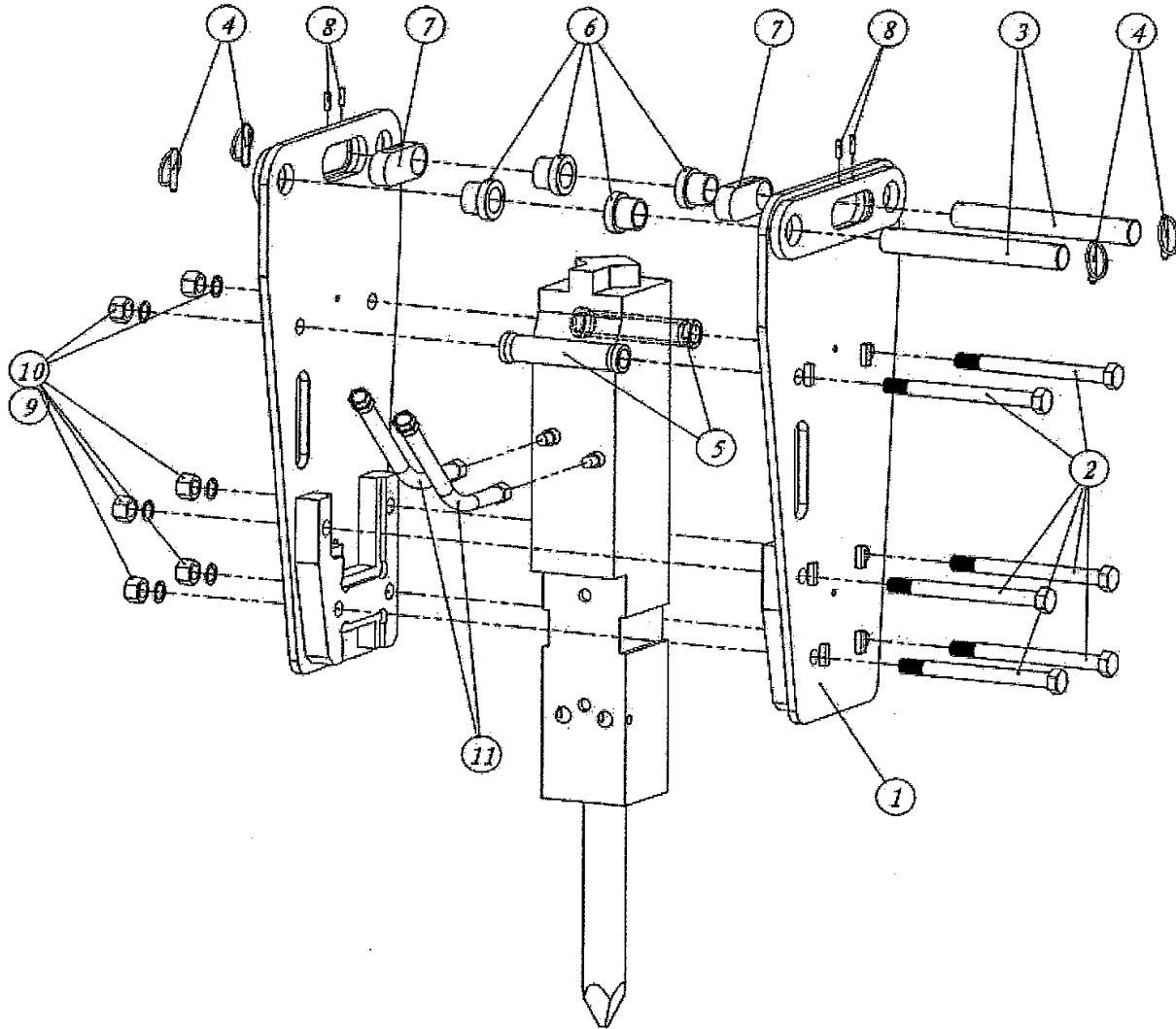


TNB-4M MX



NO.	DESCRIPTION	PART CODE	QUANTITY
1	Side Plates	BKT-4M-BD	1 set
2	Bracket Bolts	BLT-M22-240	6
3	Pins	Per Machine Model	2
4	Lynch Pin	PIN-CLIP	4
5	Spacer	SPACER-44.5-190	2
6	Bushings	Per Machine Model	4
7	Oval Insert	Per Machine Model	2
9	Washer	WASHER-M22	6
10	Nut	NUT-M22	6
11	Male Hose	SHG-2079	1
	Female Hose	SGH-2090	1
	Moil Point	415169410	1

For Decal and/or Tool Box please contact Your Dealer