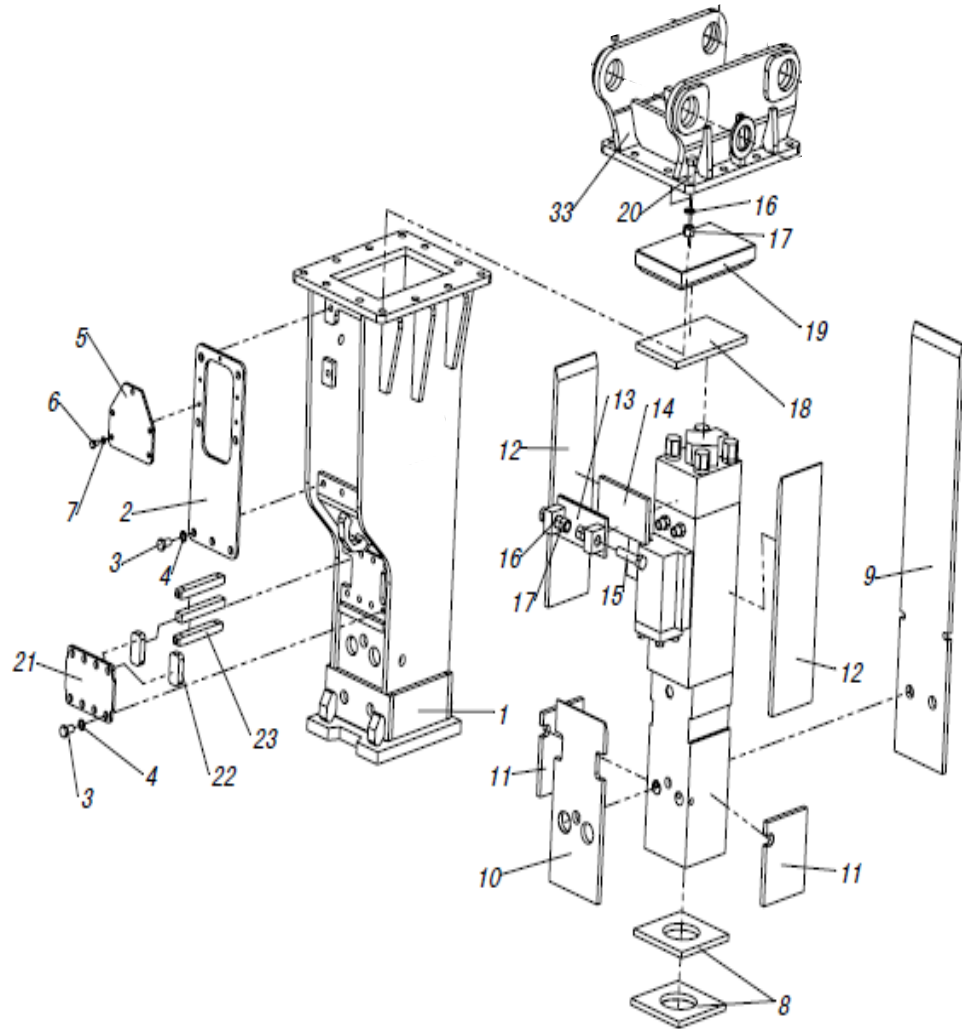


TNB-6E-BX-K



Parts

2018.09.14

No.1

Sym	Part Code	Description	Q'ty	Int	Kit
1	BKT-6E-BX-K	Key Type Box Bracket	1		
2	6E002	Control Valve Plate	1		
3	BLT-M16-30	Bolt	14		
4	WASHER-M16	Washer	14		
5	6E005	Gas Valve Cover Plate	1		
6	BLT-M10-20	Bolt	5		
7	WASHER-M10	Washer	5		
8	6E008-K	Under Spacer	2		
9	6E009-K	Back Spacer	1		
10	6E010-K	Chisel Holder Spacer	1		
11	6E011-K	Side Spacer	2		
12	6E012-K	Small Spacer	2		
13	6E012	Guide Plate	1		
14	6E014-K	Guide Spacer	1		
15	BLT-M20-90	Bolt	2		
16	WASHER-M20	Washer	14		
17	NUT-M20	Nut	16		
18/19	6E017	Top Cover	1	○	
	6E018-K	Adjust Plate	1		
	6E019-K	Top Cover	1		
20	BLT-M20-65	Bolt	12		
21	6E021-K	Cover Plate	1		
22	6E022-K	Top Cover	2		
23	6E023-K	Assembled Localizer	2		
33	Per Machine Model	Top Cap	1		

For Decal and/or Tool Box information, please contact your Dealer

INT(interchangeability)

○ Interchangeable old ↔ new

△ Interchangeable old → new

▲ Interchangeable old ← new

× Not interchangeable