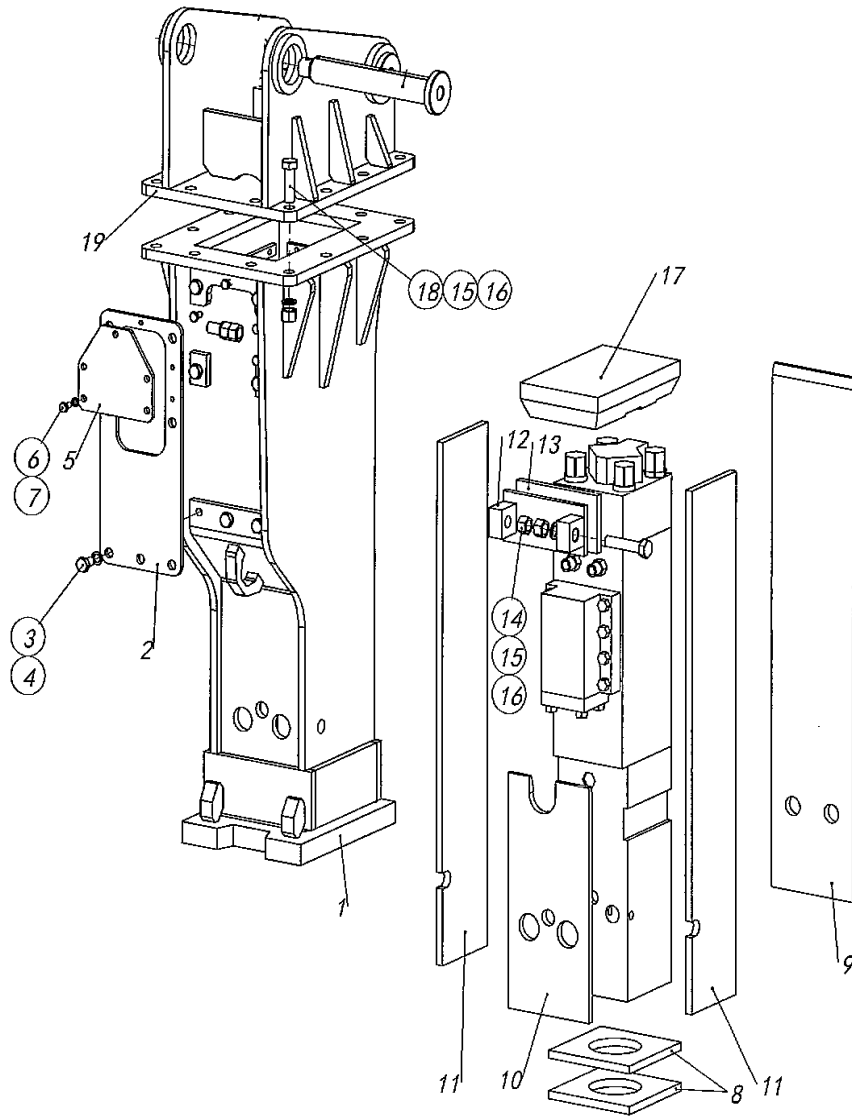


TNB-6E-BX



Parts

2018.09.14

No.1

Sym	Part Code	Description	Q'ty	Int	Kit
1	BKT-6E-BX	Box Bracket	1		
2	6E002-2	Control valve plate	1		
3	BLT-M16-30	Hex Bolt M16 x 30	7		
4	WASHER-M16	Washer M16	7		
5	6E005	Gas valve plate	1		
6	BLT-M10-20	Hex Bolt M10 x 20	5		
7	WASHER-M10	Washer M10	5		
8	6E008-K	Under spacer	2		
9	6E009	Back spacer	1		
10	6E010	Chisel Holder spacer	1		
11	6E011	Side spacer (L,R)	2		
12	6E012	Guide Plate	2		
13	6E014-K	Guide Spacer	1		
14	BLT-M20-90	Hex bolt M20x90	2		
15	WASHER-M20	Washer M20	14		
16	NUT-M20	HT Nut M20	16		
17	6E017	Top cover plate	1		
18	BLT-M20-65	Hex Bolt M20x65	12		
19	Per Machine Model	Top Cap	1		

For Decal and/or Tool Box information, please contact your Dealer

INT(interchangeability)

○ Interchangeable old ↔ new

△ Interchangeable old → new

▲ Interchangeable old ← new

× Not interchangeable