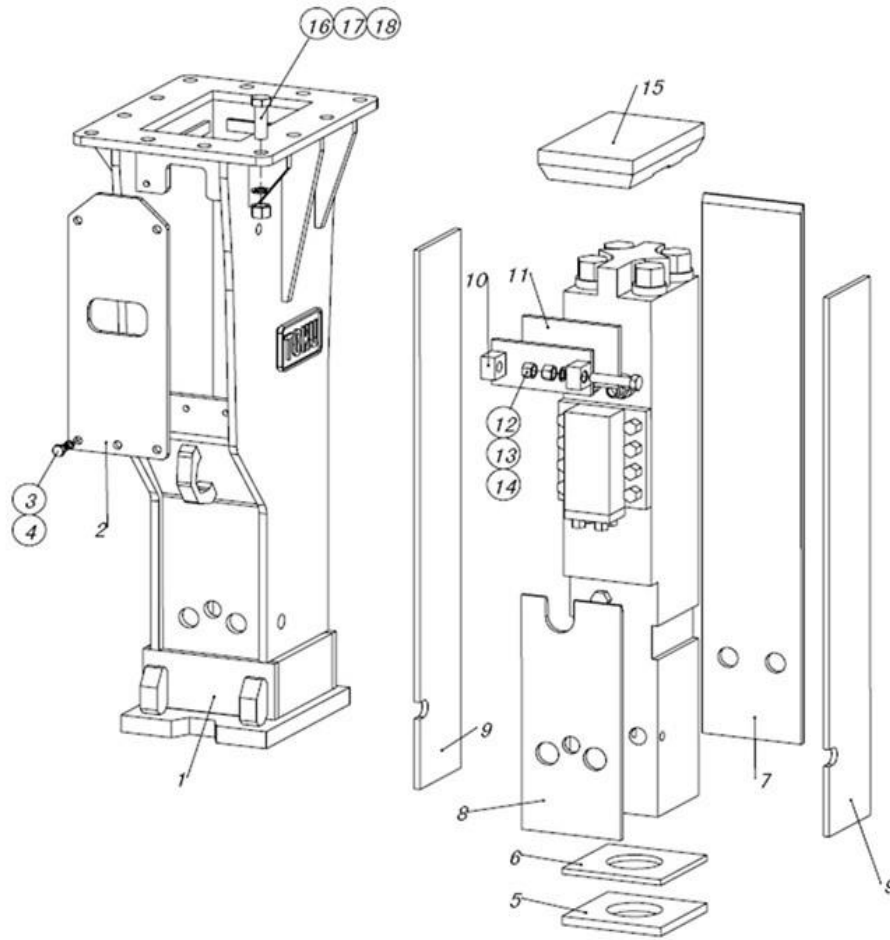


# TNB-6M BOX BRACKET



NO.	DESCRIPTION	PART CODE	Qty
1	Box Bracket	BKT-6M-BX	1
2	Control Valve Plate	6M002	1
3	Hex Bolt M12 x 25	BLT-M12-25	5
4	Washer M12	WASHER-M12	5
5	Under Spacer A	6M005	1
6	Under Spacer B	6M006	1
7	Back Spacer	6M007	1
8	Chisel Holder Spacer	6M008	1
9	Side Spacer (L, R)	6M009	2
10	Guide Plate	6M010	1
11	Guide Spacer	6M011	1
12	Hex Bolt M16 x 75	BLT-M16-75	2
13	Washer M16	WASHER-M16	2
14	HT Nut M16	NUT-M16	4
15	Top Cover Isolator	6M015	1
16	Hex Bolt M20 x 60	BLT-M20-60	12
17	Washer M20	WASHER-M20	12
18	HT Nut M20	NUT-M20	12