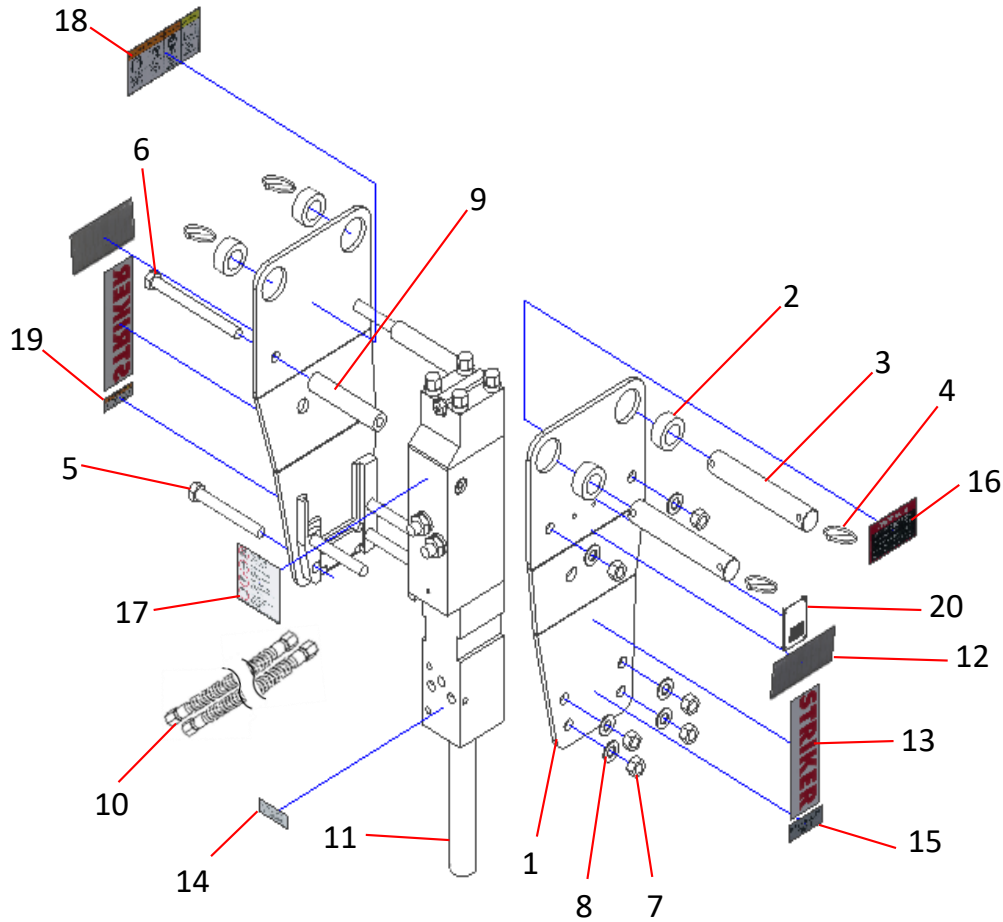


TNB-08M-MX

5/1/2023
No.1



Item No.	Comp Item Code	Comp Item Description	Q'ty
1	BKT-08M-BD	Side Plates	1 set
2	Per Machine	Bushings	4
3	Per Machine	Pins	2
4	000-B-63-03	Lynch Pins	4
5	BLT-M16-150	Bracket Bolts(S)	4
6	BLT-M16-200	Bracket Bolts(L)	2
7	NUT-M16	Nut	6
8	WASHER-M16	Washer	6
9	SPACER-32-157	Spacer	2
10	SGH-2725	Hose Coupler	1
	SGH-2726	Hose Nipple	1
11	415163410	Moil Point	1
12	DECAL-08M	TNB-08M	2
13	STRIKER SMALL	Striker Decal (Small)	2
14	GREASE-DECAL	Grease Daily	1
15	BOLT - DECAL	Check Loose bolts	1
16	DANGER-RED	Caution 1	1
17	CAUTION - WHITE	Caution 2	1
18	WARNING - SMALL	Caution 3	1
19	PRO65-DECAL	California Decal	1
20	BR-Name Plate	Breaker Name Plate	1

※For Tool Box please contact Your Dealer.