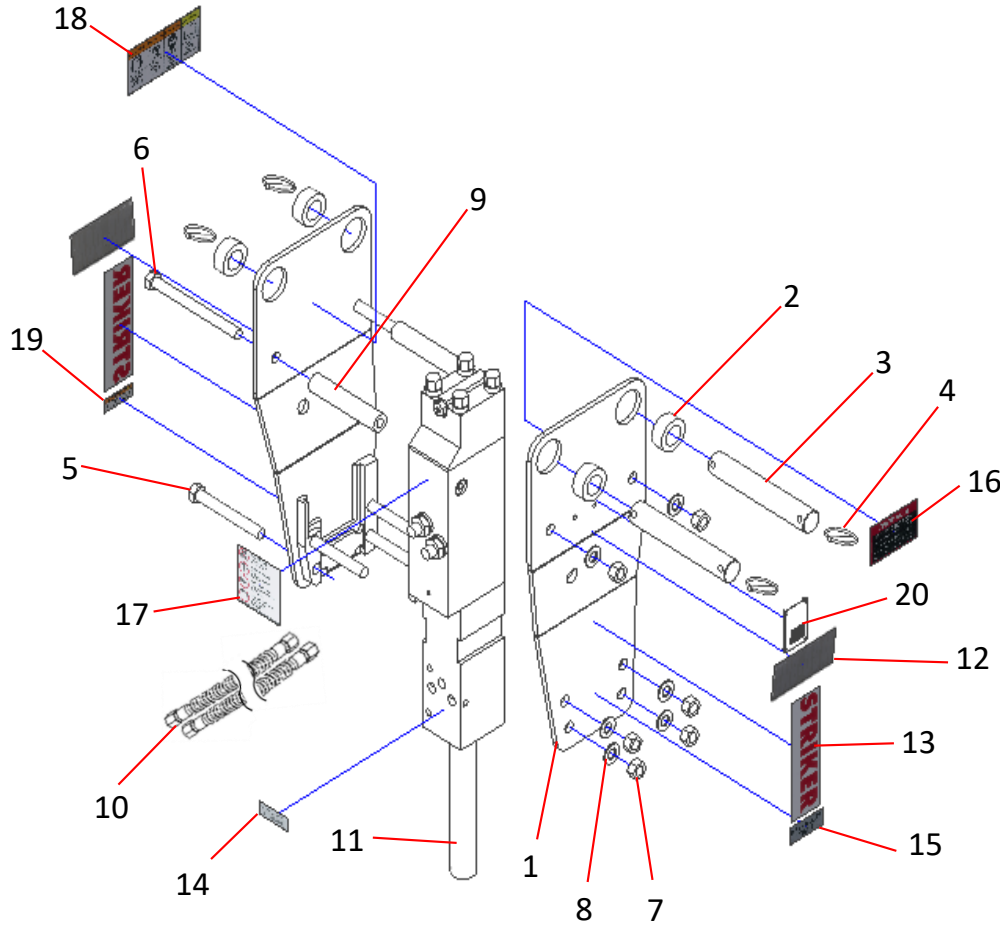


# TNB-1M-MX

5/1/2023  
No.1



| Item No. | Item Code       | Description           | Q'ty  |
|----------|-----------------|-----------------------|-------|
| 1        | BKT-1M-BD       | Side Plates           | 1 set |
| 2        | Per Machine     | Bushings              | 4     |
| 3        | Per Machine     | Pins                  | 2     |
| 4        | PIN-CLIP        | Lynch Pins            | 4     |
| 5        | BLT-M18-150     | Bracket Bolts(S)      | 4     |
| 6        | BLT-M18-200     | Bracket Bolts(L)      | 2     |
| 7        | NUT-M18         | Nut                   | 6     |
| 8        | WASHER-M18      | Washer                | 6     |
| 9        | SPACER-32-157   | Spacer                | 2     |
| 10       | SGH-2095        | Hose Coupler          | 1     |
|          | SGH-2094        | Hose Nipple           | 1     |
| 11       | 415105410       | Moil Point            | 1     |
| 12       | DECAL-1M        | TNB-1M                | 2     |
| 13       | STRIKER SMALL   | Striker Decal (Small) | 2     |
| 14       | GREASE-DECAL    | Grease Daily          | 1     |
| 15       | BOLT - DECAL    | Check Loose bolts     | 1     |
| 16       | DANGER-RED      | Caution 1             | 1     |
| 17       | CAUTION - WHITE | Caution 2             | 1     |
| 18       | WARNING - SMALL | Caution 3             | 1     |
| 19       | PRO65-DECAL     | California Decal      | 1     |
| 20       | BR--Name Plate  | Breaker Name Plate    | 1     |

※For Tool Box please contact Your Dealer.