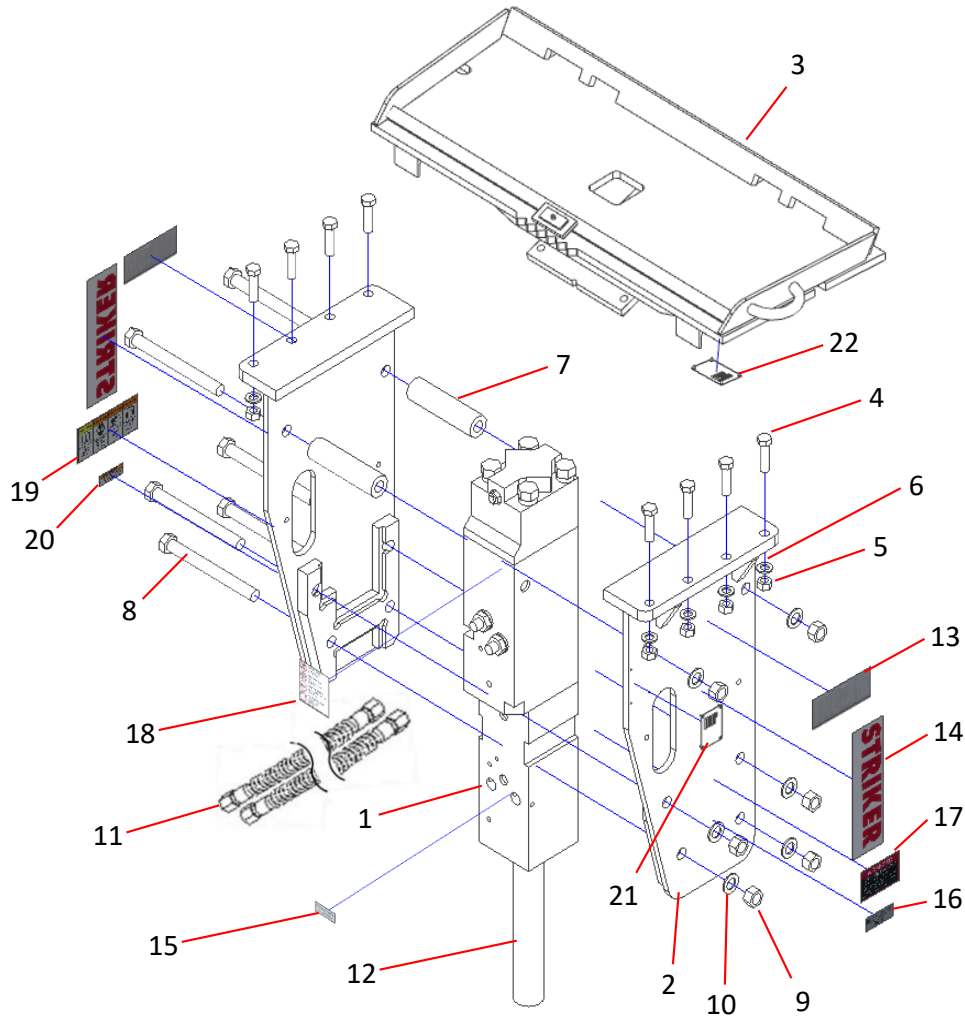


TNB-3MB-SSL-D

5/1/2023
No.1



Item No.	Comp Item Code	Comp Item Description	Q'ty
1	515635	Bare Breaker, 3MB	1
2	BKT-3MB-FL-BD	TNB-3MB Flange plates	1
3	CB-3M-FL	Dedicated Skidsteer for TNB-3M	1
4	BLT-M16-55	Bolt H.T. M16 x 55 2M/3M/4M/5M	8
5	NUT-M16	NUT H.T. M16	8
6	WASHER-M16	M16 Ribbed Washer HD TY	8
7	SPACER-22-165	SPACER M22X165	2
8	BLT-M22-220	BOLT H.T. CL. 10 M22x220	6
9	NUT-M22	NUT H.T. M22	6
10	WASHER-M22	M22 Ribbed Washer	6
11	※1	Hydraulic Hose	2
12	415635410	Moil Point	1
13	DECAL-3MB	TNB-3MB	2
14	STRIKER-MEDIUM	Striker Decal (Medium)	2
15	GREASE-DECAL	Grease Daily	1
16	BOLT - DECAL	Check Loose bolts	1
17	DANGER-RED	Caution 1	1
18	CAUTION - WHITE	Caution 2	1
19	WARNING - SMALL	Caution 3	1
20	PRO65-DECAL	California Decal	1
21	BR-Name Plate	Breaker Name Plate	1
22	SSL-Name Plate	SSL Bracket Name Plate	1

※1・・・For Hydraulic Hose and/or Moil Point please contact Your Dealer.

※For Decal and/or Tool Box please contact Your Dealer.

