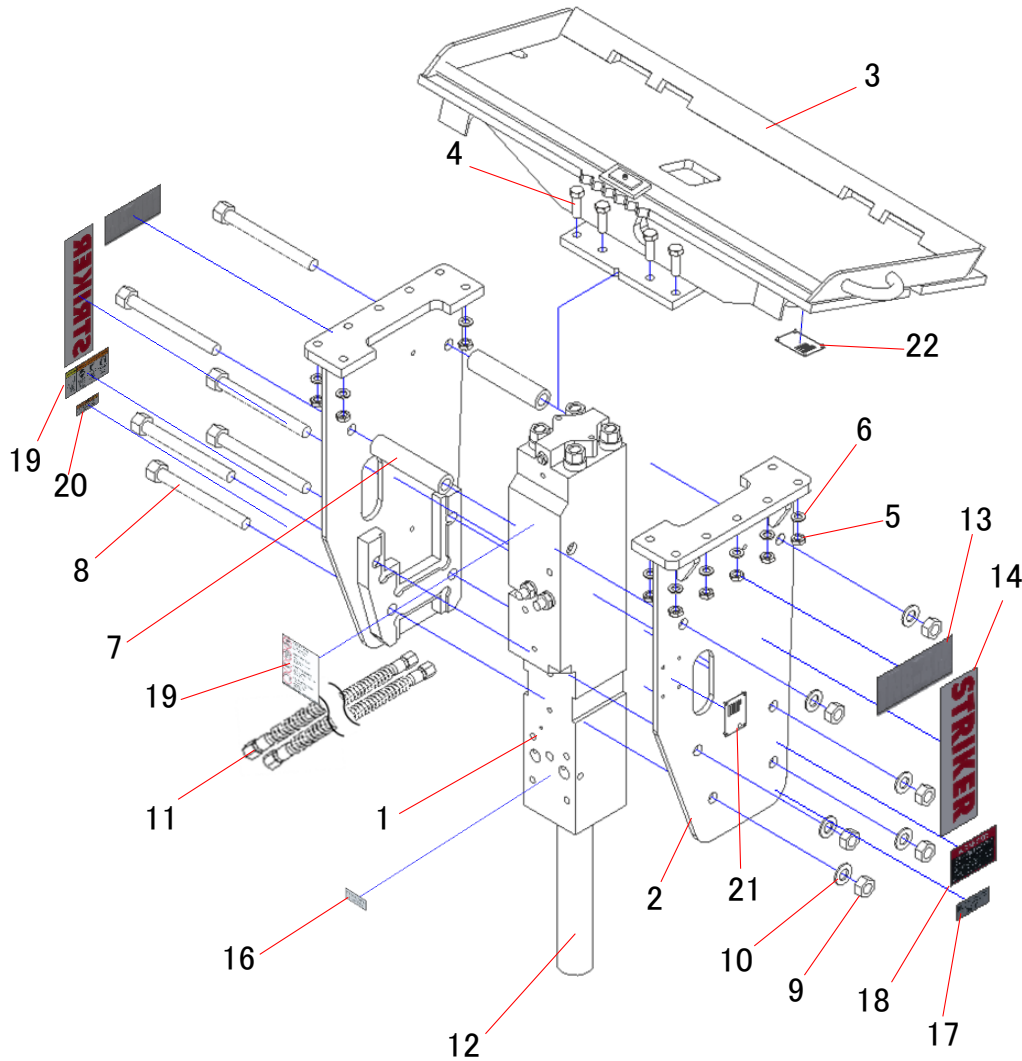


TNB-5M-SSL-D

5/1/2023
No.1



Item No.	Comp Item Code	Comp Item Description	Q'ty
1	515117	Bare Breaker, 5M	1
2	BKT-5M-FL-BD	Flange Plates, B&D, 5M	1
3	CB-5M	Skid Steer Bracket, Bolt-on, 5	1
4	BLT-M16-55	Bolt H.T. M16 x 55 2M/3M/4M/5M	14
5	NUT-M16	NUT H.T. M16	14
6	WASHER-M16	M16 Ribbed Washer HD TY	14
7	SPACER-24-200	SPACER 24X200 5M	2
8	BLT-M24-260	BOLT H.T. CL.10 M24X260 5M	6
9	NUT-M24	NUT H.T. M24	6
10	WASHER-M24	M24 Ribbed Washer	6
11	SGH-2079	SSL Male Hose	1
	SGH-2090	SSL Female Hose	1
12	41511842	Moil Point	1
13	DECAL-6M	TNB-6M	2
14	STRIKER-LARGE	Striker Decal (Large)	2
15	GREASE-DECAL	Grease Daily	1
16	BOLT - DECAL	Check Loose bolts	1
17	DANGER-RED	Caution 1	1
18	CAUTION - WHITE	Caution 2	1
19	WARNING- LARGE	Caution 4	1
20	PRO65-DECAL	California Decal	1
21	BR-Name Plate	Breaker Name Plate	1
22	SSL-Name Plate	SSL Bracket Name Plate	1

※For Decal and/or Tool Box please contact Your Dealer.

